

McFarlane now offers a huge selection of plastic and fiberglass trim and fairings for your aircraft!

Plastic and fiberglass interior and exterior parts from Aircraft Development, Knots2U, Stene Aviation and Texas Aeroplastics offer high quality FAA-PMA replacement parts at affordable prices.



Aircraft Development

Aircraft Development replacement wing tips and landing gear fairings are made from an epoxy fiberglass construction and are six times stronger and twelve times stiffer than original plastic. They are weather and UV resistant, won't become brittle and are easily repairable.



Knots 2U

Knots 2U replacement parts are made from the highest quality hand laid fiberglass. This provides for superior strength, reduced weight, and long life. The latest technology resins are used to prevent warping and shrinkage that can happen with other fiberglass. Advanced tooling and pattern techniques assure a superior fit.



Stene Aviation

Stene Aviation fiberglass replacement parts are five times stronger than the original plastic parts offered by Cessna. They are exact replacements of the originals and come primed and ready for paint. The product line includes Cessna wing tips, strut cuffs, fin caps, rudder caps/bottoms, stabilizer tips, wheel pants, and much more.



Texas Aeroplastics

Texas Aeroplastics replacement parts are made from top grade ABS plastic with an average service life of 15-20 years when properly fitted and professionally painted. ABS plastic parts are repairable and most have been trimmed for easy installation. All exterior ABS plastic parts are white.



Wing Tips

- Available in plastic and fiberglass
- Conical wing tips accommodate both a strobe and nav light
- Symmetrical wing tips accommodate a strobe light



Main Wheel Fairings (Wheel Pants)

Easy tire valve access!

- Available in fiberglass
- Knots 2U main wheel fairings feature an access door to easily check tire pressure.
- Stene Aviation main wheel fairings feature a removable plastic plug to easily check tire pressure



Nose Wheel Fairings (Wheel Pants)

Easy tire valve access!

- Available in ABS plastic and fiberglass
- Knots 2U nose gear fairings feature an access door to easily check tire pressure.
- Stene Aviation and Texas Aeroplastics nose gear fairings feature a removable plastic plug to easily check tire pressure.



FAA-PMA Approved

Strut Fairings

Strut to Wing and Strut to Fuselage Fairings

Plastic un-split (FAA-PMA) fairings by Texas Aeroplastics.

Fiberglass split fairings (FAA-PMA/STC) for easy installation, and un-split (FAA-PMA) by Stene Aviation.

Plastic PRO split fairings (FAA-PMA) for easy installation by Knots 2U.

Fiberglass split fairings (FAA-PMA) for easy installation by Aircraft Development.



Lower Rear Wing Fairings

Available in fiberglass



Main Landing Gear Fairings

Split for easy installation. Available in plastic from Texas Aeroplastics...



...and in fiberglass from Aircraft Development and Stene Aviation



Tailcone Fairings

Available in plastic and fiberglass



Cowl Fairings

Available in fiberglass



Vertical Fin Caps

Available in plastic and fiberglass

No flashing beacon



2-1/4" Beacon Base



3-1/2" Beacon Base



Brake Cover Fairings

Split for easy installation Available in plastic and fiberglass



Fuel Strainer Cover

Available in fiberglass



Tailwheel Steering Cable Fairings

Available in fiberglass



Trailing Edge Wing Root Fairing

Available in fiberglass



Elevator Tips

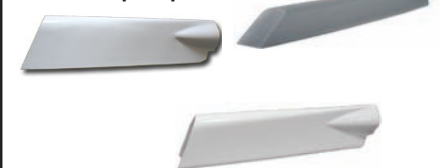
Available in plastic and fiberglass



Rudder Caps

Available in plastic and fiberglass

Rudder Top Caps



Rudder Butts



Dorsal Fin Tips

Available in plastic and fiberglass

Forward Dorsal Fin Tips

Small triangle at the front of the dorsal fin



Aft Dorsal Fin Tips

Dorsal fin transition into the vertical fin



Horizontal Stabilizer Tips

Available in plastic and fiberglass



Exterior Plastic/Fiberglass Trim and Fairings

Exterior Plastic and Fiberglass Trim and Fairings Cessna 150-152 Series Aircraft



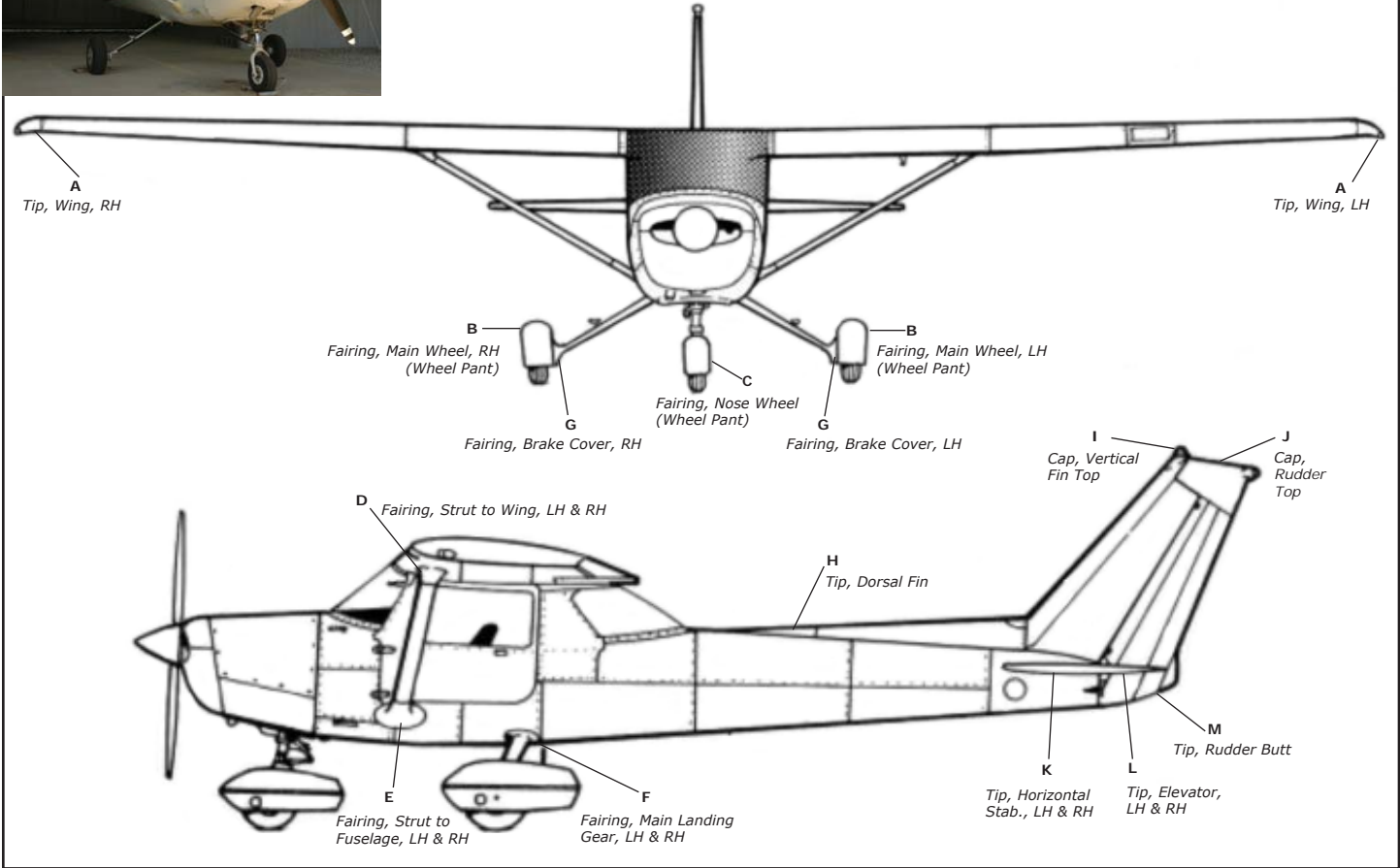
Improve the appearance and performance of your aircraft!

Wing tips, strut and landing gear fairings, and tail surface fairings for Cessna 150-152 series aircraft available in plastic and fiberglass.

SAVE!!

Eligibility tables for Cessna 150-152 aircraft with item descriptions, index reference and part numbers can be found on the following pages.

Go to www.mcfarlaneaviation.com for more details about specific part numbers.



150, 150A, B, C, D, E S/N 17001 thru 15061532			
Description	Idx	Part Number	
Fairing, Main Lndg Gear LH	F	FS-150-LG	11
Fairing, Main Lndg Gear RH	F	FS-150-RG	11
Fairing, Strut to Fuslg LH	E	118-4-27	A
		SA-0421002-1SP	2 3 S
Fairing, Strut to Fuslg RH	E	118-4-26	A
Fairing, Strut to Wing, LH	D	SA-0421002-2SP	3 3 S
		118-4-5	A
Fairing, Strut to Wing, RH	D	SA-0522150-3SP	3 3 S
		118-4-4	A
		SA-0522150-4SP	3 3 S
Rudder Bottom	M	K0430004-1-791	1 1 K
		SA-0430004-1	9
Rudder Top	J	GF0430004-2-791	1 1 K
		SA-0430004-2	1 1 S
		SA-0430004-8	2 2 S
Tip, Dorsal Fin, Vertical	H	GF0430004-00	1 1 K
		GF0430004-7-791	2 2 K
		SA-0430004-4	1 1 S
		SA-0430004-7	2 2 S
		26-09	11
Tip, Elevator, LH or RH	L	GF0430004-10791	2 2 K
		GF0430004-5-791	1 1 K
		SA-0430004-10	2 2 S
		SA-0430004-5	1 1 S
Tip, Horiz., Stab., LH or RH	K	26-08	11
		GF0430004-11791	1 1 K
		SA-0430004-11	2 2 S
Tip, Vertical & Horizontal Stab	I	GF0430004-6-791	1 1 K
		SA-0430004-6	1 1 S
Tip, Vertical, No Beacon	I	SA-0430004-9	2 2 S
Tip, Wing, Conical, LH	A	SA-0523565-29	5 6 S
Tip, Wing, Conical, RH	A	SA-0523565-30	5 6 S

Eligibility continues in the next column

Manufacturer/Material: A Aircraft Development/Fiberglass, K Knots 2U/Fiberglass, S Stene Aviation/Fiberglass, T Texas Aeroplastics/ABS Plastic Parts

Continued from previous column			
Description	Idx	Part Number	
Tip, Wing, Std., LH or RH	A	K0723615-200	3 K
		SA-0723615-200	5 S
Tip, Wing, Hoerner Style	A	11004 (set of two)	3 K
Wing Pos., Light Shield, LH	A	219-4-5	4 4 A
Wing Pos., Light Shield, RH	A	219-4-6	4 4 A
		1 S/N 17001 thru 15060087 only	
		2 S/N 15060088 and on	
		3 FAA-PMA/STC approved split Fairing for easy installation and removal.	
		4 For a wing with a standard leading edge radius	
		5 For kits including LH and RH see page 203.	
		6 Add "LL" suffix for FAA-PMA/STC wing tips including Quasar LED landing/taxi lights and optimized to accept LED nav/strobe lights. Must purchase as a LH and RH kit. See page 203.	
		Add "LED" suffix for FAA-PMA/STC wing tips optimized to accept LED nav/strobe lights.	
150F, G, H, J, K S/N 15061533 thru 15072003			
Description	Idx	Part Number	
Cap, Rudder Top	J	26-0431013-1-80A	11
		SA-0431013-1	5 S
Cap, Vertical Fin Top	I	K0431013-3-791	3 K
No Beacon Base	I	SA-0431013-3	5 S
Cap, Vertical Fin Top	I	26-0431017-1-80A	11
2 1/4" Beacon Base	I	SA-0431017-1	5 S
Fairing, Main Lndg Gear LH	F	FS-150-LG	11
Fairing, Main Lndg Gear RH	F	FS-150-RG	11
Fairing, Main Wheel, LH (Wheel Pant)	B	K0741046-203	3 3 K
Fairing, Main Wheel, RH (Wheel Pant)	B	K0741046-202	3 3 K

Eligibility continues in the next column

Continued from previous column			
Description	Idx	Part Number	
Fairing, Nose Wheel (Wheel Pant)	C	K0743625-14	3 3 K
Fairing, Strut to Fuselage, LH	E	118-4-27	A
		150-LFS	1 1 T
		K0421002-1	2 6 T
		SA-0421002-1	5 2 S
Fairing, Strut to Fuselage, RH	E	118-4-26	A
		150-RFS	1 1 T
		K0421002-2	2 6 T
		SA-0421002-2	5 2 S
Fairing, Strut to Wing, LH	D	118-4-5	A
		150-LWS	1 1 T
		K0522150-3	2 6 K
		SA-0522150-3	5 2 S
Fairing, Strut to Wing, RH	D	118-4-4	A
		150-RWS	1 1 T
		K0522150-4	2 6 K
		SA-0522150-4	5 2 S
Tip, Dorsal Fin	H	SA-0431024-1	5 S
		26-09	11
Tip, Elevator, LH or RH	L	GF0430004-10791	1 1 K
		SA-0430004-10	5 S
		26-08	11
Tip, Horizontal Stab., LH or RH	K	GF0430004-11791	1 1 K
		SA-0430004-11	5 S
Tip, Rudder Butt	M	26-11	11
		GF0431005-1-791	1 1 K
		SA-0431005-1	5 S
Tip, Wing, Conical, LH	A	20-51L-80A	4 4 T
		SA-0523565-29	8 9 S
Tip, Wing, Conical, RH	A	20-51R-80A	4 4 T
		SA-0523565-30	8 9 S

Eligibility continues on the next page

Cessna 150-152 Series Aircraft

Continued from previous page		
Description	Idx	Part Number
Tip, Wing, Sym., LH or RH	A	26-0423008-3-80A 11 SA-0423008-3 5
Tip, Wing, Hoerner Style	A	11004 (set of two) 13
Wing Pos., Light Shield, LH	A	219-4-5 7A
Wing Pos., Light Shield, RH	A	219-4-6 7A
1 S/N 15064533 and on 2 S/N 15067199 and on 3 S/N 15069309 and on 4 S/N 15071129 and on 5 Also available as a FAA-PMA/STC approved split Fairing for easy installation and removal; add an "SP" suffix to the P/N. 6 This is an ABS plastic part, split for easy installation. 7 For a wing with a standard leading edge radius 8 For kits including LH and RH see page 203. 9 Add "LL" suffix for FAA-PMA/STC wing tips including Quasar LED landing/taxi lights and optimized to accept LED nav/strobe lights. Must purchase as a LH and RH kit. See page 203. Add "LED" suffix for FAA-PMA/STC wing tips optimized to accept LED nav/strobe lights.		
150L,M S/N 15072004 thru 15079405		
Description	Idx	Part Number
Cap, Rudder Top	J	26-0431013-1-80A 2 11
		26-15-80A 5 11
		GF0430011-2 5 11
		SA-0430011-2 5 11
Cap, Vertical Fin Top No Beacon Base	I	K0431013-3-791 1 11
		SA-0431013-3 5 11
Cap, Vertical Fin Top 2 1/4" Beacon Base	I	26-0431017-1-80A 2 11
		26-12 5 11
Fairing, Brake Cover, LH	G	26-07-LBC 5 11
		SA-0441227-1 5 11
Fairing, Brake Cover, RH	G	26-07-RBC 5 11
		SA-0441227-2 5 11
Fairing, Main Landing Gear, LH	F	244-4-13 1 11
		26-06L 11
Fairing, Main Landing Gear, RH	F	SA-0441217-15 5 11
		244-4-14 1 11
Fairing, Main Wheel, LH (Wheel Pant)	B	26-06R 11
		SA-0441217-14 5 11
Fairing, Main Wheel, RH (Wheel Pant)	B	GF0541223-01 4 11
		SA-0541203-1 11 11
Fairing, Main Wheel, RH (Wheel Pant)	B	SA-0541223-17 3 11
		GF0541223-02 4 11
Fairing, Main Wheel, RH (Wheel Pant)	B	SA-0541203-2 11 11
		SA-0541223-16 3 11
Fairing, Nose Wheel (Wheel Pant)	C	20-40N-80A 11
		GF0543079-00 6 11
Fairing, Strut to Fuselage, LH	E	SA-0543065-1 11 11
		SA-0543079-3 3 11
Fairing, Strut to Fuselage, RH	E	118-4-27 1 11
		150-LFS 11 11
Fairing, Strut to Fuselage, LH	E	K0421002-1 8 11
		SA-0421002-1 7 11
Fairing, Strut to Fuselage, RH	E	118-4-26 1 11
		150-RFS 11 11
Fairing, Strut to Fuselage, LH	D	K0421002-2 8 11
		SA-0421002-2 7 11
Fairing, Strut to Wing, LH	D	118-4-5 1 11
		150-LWS 11 11
Fairing, Strut to Wing, RH	D	K0522150-3 8 11
		SA-0522150-3 7 11
Tip, Dorsal Fin	H	118-4-4 1 11
		150-RWS 11 11
Tip, Elevator, LH or RH	L	K0522150-4 8 11
		SA-0522150-4 7 11
Tip, Rudder Butt	M	26-10 11 11
		SA-0431024-1 5 11
Tip, Wing, Conical Camber, LH	A	26-09 11 11
		GF0430004-10791 4 11
Tip, Wing, Conical Camber, RH	A	SA-0430004-10 5 11
		26-08 11 11
Tip, Wing, Sym., LH or RH	A	GF0430004-11791 4 11
		SA-0430004-11 5 11
Tip, Wing, Conical Camber, LH	A	26-11 11 11
		GF0431005-1-791 4 11
Tip, Wing, Conical Camber, RH	A	SA-0431005-1 5 11
		20-51L-80A 11 11
Tip, Wing, Symmetrical	A	GF0523565-29791 4 11
		SA-0523565-29 9 10 11

Continued from previous column		
Description	Idx	Part Number
Tip, Wing, Conical, RH	A	20-51R-80A 11 11
		GF0523565-30791 4 11
Tip, Wing, Sym., LH or RH	A	SA-0523565-30 10 11 11
		26-0423008-3-80A 11 11
Tip, Wing, Hoerner Style	A	SA-0423008-3 5 11
		11004 (set of two) 13 11
Wing Pos., Light Shield, LH	A	219-4-5 7A 11
		219-4-6 7A 11
Wing Pos., Light Shield, RH	A	219-4-5 7A 11
		219-4-6 7A 11
1 S/N 15072004 thru 15074850 only 2 S/N 15072004 thru 15075781 only 3 S/N 15074851 and on 4 S/N 15074851 thru 15077005 only 5 S/N 15075782 and on 6 Not for aircraft with heavy duty nose gear 7 Also available as a FAA-PMA/STC approved split Fairing for easy installation and removal; add an "SP" suffix to the P/N. 8 This is an ABS plastic part, split for easy installation. 9 For a wing with a standard leading edge radius 10 For kits including LH and RH see page 203. 11 Add "LL" suffix for FAA-PMA/STC wing tips including Quasar LED landing/taxi lights and optimized to accept LED nav/strobe lights. Must purchase as a LH and RH kit. See page 203. Add "LED" suffix for FAA-PMA/STC wing tips optimized to accept LED nav/strobe lights.		
A150K,L,M S/N A1500001 thru A1500734		
Description	Idx	Part Number
Cap, Rudder Top	J	26-0431013-1-80A 2 11
		26-15-80A 5 11
		GF0430011-2 5 11
		SA-0430011-2 5 11
Cap, Vertical Fin Top No Beacon Base	I	K0431013-3-791 1 11
		SA-0431013-3 5 11
Cap, Vertical Fin 2 1/4" Beacon Base	I	26-0431017-1-80A 2 11
		26-12 5 11
Fairing, Brake Cover, LH	G	26-07-LBC 5 11
		SA-0441227-1 5 11
Fairing, Brake Cover, RH	G	26-07-RBC 5 11
		SA-0441227-2 5 11
Fairing, Main Landing Gear, LH	F	244-4-13 1 11
		26-06L 11 11
Fairing, Main Landing Gear, RH	F	SA-0441217-15 5 11
		244-4-14 1 11
Fairing, Main Landing Gear, RH	F	26-06R 11 11
		SA-0441217-14 5 11
Fairing, Main Wheel, LH (Wheel Pant)	B	GF0541223-01 4 11
		SA-0541203-1 11 11
Fairing, Main Wheel, RH (Wheel Pant)	B	SA-0541223-17 3 11
		GF0541223-02 4 11
Fairing, Main Wheel, RH (Wheel Pant)	B	SA-0541203-2 11 11
		SA-0541223-16 3 11
Fairing, Main Wheel, RH (Wheel Pant)	B	20-40N-80A 11 11
		GF0543079-00 6 11
Fairing, Strut to Fuselage, LH	E	SA-0543065-1 11 11
		SA-0543079-3 3 11
Fairing, Strut to Fuselage, RH	E	118-4-27 1 11
		150-LFS 11 11
Fairing, Strut to Fuselage, LH	E	K0421002-1 8 11
		SA-0421002-1 7 11
Fairing, Strut to Fuselage, RH	E	118-4-26 1 11
		150-RFS 11 11
Fairing, Strut to Fuselage, LH	D	K0421002-2 8 11
		SA-0421002-2 7 11
Fairing, Strut to Wing, LH	D	118-4-5 1 11
		150-LWS 11 11
Fairing, Strut to Wing, RH	D	K0522150-3 8 11
		SA-0522150-3 7 11
Tip, Dorsal Fin	H	118-4-4 1 11
		150-RWS 11 11
Tip, Elevator, LH or RH	L	K0522150-4 8 11
		SA-0522150-4 7 11
Tip, Rudder Butt	M	26-10 11 11
		SA-0431024-1 5 11
Tip, Wing, Conical Camber, LH	A	26-09 11 11
		GF0430004-10791 4 11
Tip, Wing, Conical Camber, RH	A	SA-0430004-10 5 11
		26-08 11 11
Tip, Wing, Sym., LH or RH	A	GF0430004-11791 4 11
		SA-0430004-11 5 11
Tip, Wing, Conical Camber, LH	A	26-11 11 11
		GF0431005-1-791 4 11
Tip, Wing, Conical Camber, RH	A	SA-0431005-1 5 11
		20-51L-80A 11 11
Tip, Wing, Symmetrical	A	GF0523565-29791 4 11
		SA-0523565-29 9 10 11

Continued from previous column		
Description	Idx	Part Number
Wing Pos., Light Shield, LH	A	219-4-5 8 11
Wing Pos., Light Shield, RH	A	219-4-6 8 11
1 S/N A1500001 thru A1500226 2 S/N A1500001 thru A1500523 only 3 S/N A1500227 thru A1500429 only 4 S/N A1500227 and on 5 S/N A1500430 thru A1500523 only 6 S/N A1500430 and on 7 S/N A1500524 and on 8 For a wing with a standard leading edge radius 9 For kits including LH and RH see page 203. 10 Add "LL" suffix for FAA-PMA/STC wing tips including Quasar LED landing/taxi lights and optimized to accept LED nav/strobe lights. Must purchase as a LH and RH kit. See page 203. Add "LED" suffix for FAA-PMA/STC wing tips optimized to accept LED nav/strobe lights.		
F150F,G,H,J,K,L,M, FA150K,L,M, FRA150L,M S/N F150-0001 thru F15001428, FA1500001 thru FA1500336, FRA1500121 thru FRA1500261		
Description	Idx	Part Number
Cap, Rudder Top	J	26-0431013-1-80A 3 11
		26-15-80A 15 11
		GF0430011-2 14 11
		SA-0431013-1 3 11
Cap, Vertical Fin Top No Beacon Base	I	K0431013-3-791 1 11
		SA-0430011-1 14 11
Fairing, Brake Cover, LH	G	SA-0441227-1 14 11
		SA-0441227-2 14 11
Fairing, Main Lndg Gear LH	F	26-06L 11 11
		SA-0441217-15 11 11
Fairing, Main Lndg Gear RH	F	26-06R 11 11
		SA-0441217-14 11 11
Fairing, Main Wheel, LH (Wheel Pant)	B	GF0541223-01 12 11
		K0741046-203 17 11
Fairing, Main Wheel, RH (Wheel Pant)	B	SA-0541203-1 9 11
		SA-0541223-17 11 11
Fairing, Main Wheel, RH (Wheel Pant)	B	GF0541223-02 11 11
		K0741046-202 17 11
Fairing, Main Wheel, RH (Wheel Pant)	B	SA-0541203-2 9 11
		SA-0541223-16 11 11
Fairing, Nose Wheel, Wheel Pant	C	20-40N-80A 11 11
		GF0543079-00 12 11
Fairing, Strut to Fuselage, LH	E	SA-0543065-1 11 11
		SA-0543079-3 13 11
Fairing, Strut to Fuselage, RH	E	150-LFS 22 11
		K0421002-1 6 20 11
Fairing, Strut to Fuselage, LH	E	SA-0421002-1 6 11
		SA-0522150-7 19 11
Fairing, Strut to Fuselage, RH	E	150-RFS 22 11
		K0421002-2 6 20 11
Fairing, Strut to Wing, LH	D	SA-0421002-2 6 11
		SA-0522150-6 19 11
Fairing, Strut to Wing, RH	D	150-LWS 22 11
		K0522150-3 6 20 11
Tip, Dorsal Fin	H	SA-0421002-3 18 11
		150-RWS 22 11
Tip, Elevator, LH or RH	L	2150-4 6 20 11
		SA-0421002-4 18 11
Tip, Rudder Butt	M	SA-0431024-1 14 11
		26-09 11 11
Tip, Horizontal Stab., LH or RH	K	GF0430004-10791 4 11
		SA-0430004-10 5 11
Tip, Wing, Con. Camber LH	A	26-11 11 11
		GF0431005-1-791 4 11
Tip, Wing, Con. Camber RH	A	SA-0431005-1 5 11
		26-08 11 11
Tip, Wing, Symmetrical	A	GF0430004-11791 4 11
		SA-0430004-11 5 11
Tip, Wing, LH	A	20-51L-80A 8 11
		20-51R-80A 8 11
Tip, Wing, RH	A	26-0423008-3-80A 11 11
		SA-0423008-3 2 11

Eligibility continues in the next column

Eligibility continues in the next column

Eligibility continues on the next page

Manufacturer/Material: **A** Aircraft Development/Fiberglass, **K** Knots 2U/Fiberglass, **S** Stene Aviation/Fiberglass, **T** Texas Aeroplastics/ABS Plastic Parts

Cessna 150-152 Series Aircraft

Continued from previous page

1 S/N F150-0001 thru F15000523, and S/N FA1500001 thru FA1500261 only
 2 S/N F150-0001 thru F15000658
 3 S/N F150-0001 thru F15001143 and S/N FA1500001 thru FA1500261 only
 4 S/N F150-0001 thru F15001428, and S/N FA1500001 thru FA1500336 only
 5 S/N F150-0001 thru F15001428, and S/N FA1500001 thru FA1500261 only
 6 S/N F150-0220 thru F15001428 only
 7 S/N F15000530 thru F15001428 only
 8 S/N F15000530 thru F15001428, and S/N FA1500001 thru FA1500336 only
 9 S/N F15000659 thru F15001143, and S/N FA1500082 thru FRA1500120 only
 10 S/N F15000659 thru F15001428, and S/N FA1500082 thru FRA1500261 only
 11 S/N F15000659 thru F15001428, and S/N FA1500082 thru FRA1500336 only
 12 S/N F15001014 thru F15001428 only
 13 S/N F15001144 thru F15001428, and S/N FA1500082 thru FA1500336 only
 14 S/N F15001144 thru F15001428, and S/N FA1500262 thru FA1500336 only
 15 S/N F15001144 thru F15001428, and S/N FA1500262 thru FA1500336, and S/N FRA1500262 thru FRA1500336 only
 16 S/N F150-0390 thru F15000658 and S/N FA1500001 thru FA1500081 only
 17 S/N F15000530 thru F15000658 and S/N FA1500001 thru FA1500081 only
 18 S/N FA1500001 thru FA1500120 only
 19 S/N FA1500001 thru FA1500261 only
 20 This is an ABS plastic part, split for easy installation.
 21 For kits including LH and RH see page 203.
 22 S/N F150-0001 thru F15001428 only

152, A152, F152, FA152
 S/N 15279406 thru 15286033, A1520735 thru A1521049, F15201429 thru F15201980, FA1520337 thru FA1520425

Description	Idx	Part Number
Cap, Rudder Top	J	26-15-80A T
		GF0430011-2 G K
		SA-0430011-2 S
Cap, Vertical Fin Top 2 1/4" Beacon Base	I	26-12 2 T
		GF0430011-1 2 K
		SA-0430011-1 S
Fairing, Brake Cover, LH	G	26-07-LBC 1 T
		SA-0441227-1 S
Fairing, Brake Cover, RH	G	26-07-RBC 1 T
		SA-0441227-2 S
Fairing, Main Landing Gear LH	F	244-4-13 A
		26-06L T
		SA-0441217-15 S
Fairing, Main Landing Gear RH	F	244-4-14 A
		26-06R T
		SA-0441217-14 S
Fairing, Main Wheel, LH (Wheel Pant)	B	GF0541223-01 K
		SA-0541223-17 S
Fairing, Main Wheel, RH (Wheel Pant)	B	GF0541223-02 K
		SA-0541223-16 S
Fairing, Nose Wheel (Wheel Pant)	C	20-40N-80A T
		GF0543079-00 K
		SA-0543079-3 S
Fairing, Strut to Fuselage, LH	E	118-4-27 1 A
		150-LFS 4 T
		K0421002-1 1 10 T
		SA-0421002-1 1 3 S
Fairing, Strut to Fuselage, RH	E	SA-0421002-3 7 S
		118-4-26 1 A
		150-RFS 4 T
		K0421002-2 1 9 T
Fairing, Strut to Wing, LH	D	SA-0421002-2 1 3 S
		SA-0421002-4 7 S
		118-4-5 1 A
		150-LWS 4 T
Fairing, Strut to Wing, RH	D	K0522150-3 4 9 K
		SA-0522150-3 1 3 S
		SA-0522150-7 7 S
		118-4-4 1 A
Tip, Dorsal Fin	H	150-RWS 4 T
		K0522150-4 4 9 K
		SA-0522150-4 1 3 S
		SA-0522150-6 7 S
Tip, Elevator, LH or RH	L	26-08 T
		GF0430004-10791 K
Tip, Horizontal Stab., LH or RH	K	SA-0430004-10 1 S
		GF0430004-11791 K
		SA-0430004-11 2 S

Eligibility continues in the next column

Continued from previous column

Tip, Rudder Butt	M	26-11 2 T
		GF0431005-1-791 K
		SA-0431005-1 7 S
Tip, Wing, Conical, LH	A	20-51L-80A T
		GF0523565-29791 K
		SA-0523565-29 12 13 S
Tip, Wing, Conical, RH	A	20-51R-80A T
		GF0523565-30791 K
		SA-0523565-30 12 13 S
Tip, Wing, Symmetrical	A	26-0423008-3-80A T
Wing Pos., Light Shield, LH	A	219-4-5 10 A
Wing Pos., Light Shield, RH	A	219-4-6 10 A

1 Model 152 only
 2 Models 152, A152 only
 3 Models 152, A152, F152 only
 4 Models 152 and F152 only
 5 S/N 15279406 thru 15286033, and S/N F15201429 thru F15201952, and S/N FA1520337 thru FA1520387 only
 6 S/N A1520735 thru A1521049 only
 7 Also available as a FAA-PMA/STC approved split Fairing for easy installation and removal; add an "SP" suffix to the P/N.
 8 This is an ABS plastic part, split for easy installation.
 9 For a wing with a standard leading edge radius
 10 For kits including LH and RH see page 203.
 11 Add "LL" suffix for FAA-PMA/STC wing tips including Quasar LED landing/taxi lights and optimized to accept LED nav/strobe lights. Must purchase as a LH and RH kit. See page 203.
 Add "LED" suffix for FAA-PMA/STC wing tips optimized to accept LED nav/strobe lights.

Description	Idx	Part Number
Cap, Rudder Top	J	26-15-80A T
		GF0430011-2 G K
		SA-0430011-2 S
Cap, Vertical Fin Top 2 1/4" Beacon Base	I	26-12 2 T
		GF0430011-1 2 K
		SA-0430011-1 S
Fairing, Brake Cover, LH	G	26-07-LBC 1 T
		SA-0441227-1 S
Fairing, Brake Cover, RH	G	26-07-RBC 1 T
		SA-0441227-2 S
Fairing, Main Landing Gear LH	F	244-4-13 A
		26-06L T
		SA-0441217-15 S
Fairing, Main Landing Gear RH	F	244-4-14 A
		26-06R T
		SA-0441217-14 S
Fairing, Main Wheel, LH (Wheel Pant)	B	GF0541223-01 K
		SA-0541223-17 S
Fairing, Main Wheel, RH (Wheel Pant)	B	GF0541223-02 K
		SA-0541223-16 S
Fairing, Nose Wheel (Wheel Pant)	C	20-40N-80A T
		GF0543079-00 K
		SA-0543079-3 S
Fairing, Strut to Fuselage, LH	E	118-4-27 1 A
		150-LFS 4 T
		K0421002-1 1 10 T
		SA-0421002-1 1 3 S
Fairing, Strut to Fuselage, RH	E	SA-0421002-3 7 S
		118-4-26 1 A
		150-RFS 4 T
		K0421002-2 1 9 T
Fairing, Strut to Wing, LH	D	SA-0421002-2 1 3 S
		SA-0421002-4 7 S
		118-4-5 1 A
		150-LWS 4 T
Fairing, Strut to Wing, RH	D	K0522150-3 4 9 K
		SA-0522150-3 1 3 S
		SA-0522150-7 7 S
		118-4-4 1 A
Tip, Dorsal Fin	H	150-RWS 4 T
		K0522150-4 4 9 K
		SA-0522150-4 1 3 S
		SA-0522150-6 7 S
Tip, Elevator, LH or RH	L	26-08 T
		GF0430004-10791 K
Tip, Horizontal Stab., LH or RH	K	SA-0430004-10 1 S
		GF0430004-11791 K
		SA-0430004-11 2 S

Kits for 150-152 aircraft

Kit P/N	Kit Description	Part Number	Item Description
20-51-80A	Conical Wing Tip Kit	20-51L-80A	Tip, Wing, LH
		20-51R-80A	Tip, Wing, RH
26-04-80A	Strut Fairing Kit, Plastic	150-LFS	Fairing, Strut to Fuselage, LH
		150-RFS	Fairing, Strut to Fuselage, RH
		150-LWS	Fairing, Strut to Wing, LH
		150-RWS	Fairing, Strut to Wing, RH
26-05-80A	Landing Gear Fairing Kit Flat Gear Only	FS-150-LG	Fairing, Main Landing Gear, LH
		FS-150-RG	Fairing, Main Landing Gear, RH
26-06-80A	Landing Gear Fairing Kit Tube Gear Only	26-06L	Fairing, Main Landing Gear, LH
		26-06R	Fairing, Main Landing Gear, RH
26-07-80A	Brake Cover Fairing Kit	26-07-LBC	Fairing, Brake Cover, LH
		26-07-RBC	Fairing, Brake Cover, RH
		118-4-27	Fairing, Strut to Fuselage, LH
118-92	Strut Fairing Kit, Fiberglass	118-4-26	Fairing, Strut to Fuselage, RH
		118-4-5	Fairing, Strut to Wing, LH
		118-4-4	Fairing, Strut to Wing, RH
KPS04	Split Strut Fairing Kit, Plastic	K0421002-1	Fairing, Strut to Fuselage, LH
		K0421002-2	Fairing, Strut to Fuselage, RH
		K0522150-3	Fairing, Strut to Wing, LH
SA-0421002-1234	Fairing Kit, Fiberglass For FAA-PMA/STC split Fairings add an "SP" suffix to the kit P/N.	K0522150-4	Fairing, Strut to Wing, RH
		SA-0421002-1	Fairing, Strut to Fuselage, LH
		SA-0421002-2	Fairing, Strut to Fuselage, RH
SA-0523565-2930	Wing Tips 1 2	SA-0522150-3	Fairing, Strut to Wing, LH
		SA-0522150-4	Fairing, Strut to Wing, RH
		SA-0523565-29	Tip, Wing, Conical, LH
		SA-0523565-30	Tip, Wing, Conical, RH

1 Add "LL" suffix for FAA-PMA/STC wing tips including Quasar LED landing/taxi lights and optimized to accept LED nav/strobe lights. Optional installation kit including all hardware required for installation of Quasar LED lighted wing tips is available. Kits include shielded wire, all connectors, switches and breaker. 14v installation kit USE P/N INSTALL14V.
 28v installation kit USE P/N INSTALL28V.
 Add "LED" suffix for FAA-PMA/STC wing tips optimized to accept LED nav/strobe lights.

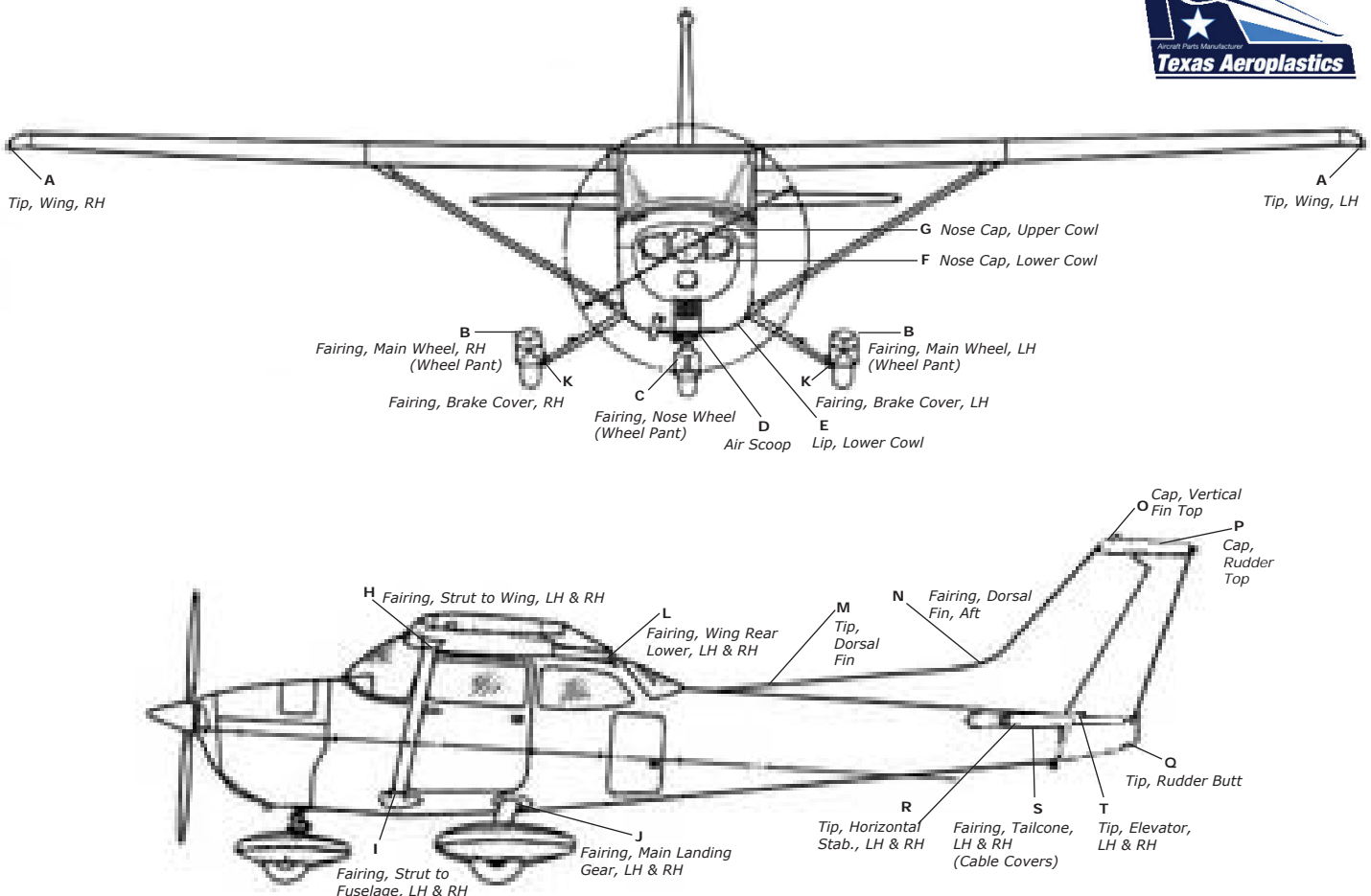
Improve the appearance and performance of your aircraft!

Strut and landing gear fairings, tail surface fairings, wing tips, and cowling fairings for Cessna 170-177 series aircraft available in ABS plastic and fiberglass.

SAVE!!



Eligibility tables for Cessna 170, 172, 175 and 177 aircraft with item descriptions, index reference and part numbers can be found on the following pages.



Cessna 170, 172, 175 and 177 Series Aircraft

170, 170A,B S/N 18000 thru 27169		
Description	Idx	Part Number
Air Scoop	D	GF0552001-16 2 K
Fairing, Strut To Fuslg LH	I	118-4-7 1 A
		SA-0522150-1SP 1 S
Fairing, Strut To Fuslg RH	I	118-4-6 1 A
		SA-0522150-2SP 1 S
Fairing, Strut To Wing LH	H	118-4-5 1 A
Fairing, Strut To Wing RH	H	118-4-4 1 A
Lip, Lower Cowl	E	GF55200-00 3 K
Nose Cap, Lower Cowl	F	GF0552002-51 1 K
Nose Cap, Upper Cowl	G	GF0595000-3 1 K
Tip, Wing, Conical, LH	A	SA-0523565-29 1 S 7 S
Tip, Wing, Conical, RH	A	SA-0523565-30 1 S 7 S
Tip, Wing, LH or RH	A	SA-0723615-200 5
Tip, Wing, Hoerner Style	A	11004 (set of two) 3 K
Wing Pos., Light Shield, LH	A	219-4-5 6 A
Wing Pos., Light Shield, RH	A	219-4-6 6 A
1 S/N 18730 and on 2 S/N 19200 and on 3 S/N 20267 and on 4 S/N 25373 and on 5 FAA-PMA/STC approved split fairing for easy installation and removal. 6 For a wing with a standard leading edge radius 7 Add "LL" suffix for FAA-PMA/STC wing tips including Quasar LED landing/taxi lights and optimized to accept LED nav/strobe lights. Must purchase as a LH and RH kit. See page 207. Add "LED" suffix for FAA-PMA/STC wing tips optimized to accept LED nav/strobe lights.		
172, 172A,B,C,D,E,F,G,H,I S/N 28000 thru 17257161		
Description	Idx	Part Number
Air Scoop	D	GF0552001-16 2 K
Cap, Rudder Top	P	28-531006-34-80A 7 T
		K0531006-34 11 K
		SA-0531006-34 7 S
Cap, Vertical Fin No Beacon Base	O	28-531006-33-80A 7 T
		SA-0531006-33 7 S
Cap, Vertical Fin 2 1/4" Beacon Base	O	SA-0531001-36 2 S
		28-0531109-180A 13 T
Cap, Vertical Fin 3 1/2" Beacon Base	O	SA-0531009-1 12 S
		SA-0531004-3 2 S
Fairing, Main Wheel, LH (Wheel Pant)	B	K0741046-203 13 K
Fairing, Main Wheel, RH (Wheel Pant)	B	K0741046-202 13 K
Fairing, Nose Wheel		K0743625-14 13 K
Fairing, Strut To Fuslg LH	I	118-4-7 A
		28-07-LFS T
		K0522150-1 6 T
		SA-0522150-1 14 S
Fairing, Strut To Fuslg RH	I	118-4-6 A
		28-07-RFS T
		K0522150-2 6 T
		SA-0522150-2 14 S
Fairing, Strut To Wing, LH	H	118-4-5 17 A
		118-4-15 17 A
		28-06-LWS 6 T
		K0522150-3 6 T
		SA-0522150-3 14 S
Fairing, Strut To Wing, RH	H	118-4-4 17 A
		118-4-14 17 A
		28-06-RWS 6 T
		K0522150-4 6 T
		SA-0522150-4 14 S
Fairing Wing Rear Low, LH	L	GF0520006-01 11 K
Fairing Wing Rear Low, RH	L	GF0520006-02 11 K
Fairing, Tailcone (Cable Covers) LH or RH	S	28-18 10 T
Lip, Lower Cowl	E	GF55200-00 3 K
Nose Cap, Lower Cowl	F	GF0552002-51 1 K
Nose Cap, Upper Cowl	G	GF0595000-3 1 K
Nose Cap, Skin	N/A	K0552010-17 10 K
Tip, Dorsal Fin	M	28-15 12 T
Tip, Elevator, LH	T	220-4-7 11 A
		28-09-L 11 T
		GF0532001-94 11 K
		SA-0532001-94 11 S
Tip, Elevator, RH	T	220-4-8 11 A
		28-09-R 11 T
		GF0532001-100 11 K
		SA-0532001-100 11 S

Continued from previous column		
Description	Idx	Part Number
Tip, Elevator, LH or RH	T	K0532001-62 8 K
		SA-0532001-62 8 S
Tip, Rudder Butt	Q	28-21-80A 7 T
		K0531006-35 7 K
		K0531104 2 K
		SA-0531104 2 S
		SA-0531006-35 7 S
Tip, Horiz Stab., LH or RH	R	K0532001-61 9 K
		SA-0532001-61 9 S
		28-10 11 T
		GF0532001-00 11 K
Tip, Wing, Conical, LH	A	SA-0523565-29 16 17 S
		SA-0523565-30 16 17 S
Tip, Wing, Conical, RH	A	SA-0523565-30 16 17 S
Tip, Wing, Hoerner Style	A	11004 (set of two) K
Tip, Wing, Sym., LH or RH	A	K0723615-200 5 K
Wing Pos., Light Shield, LH	A	219-4-5 13 A
Wing Pos., Light Shield, RH	A	219-4-6 13 A
11 S/N 28000 thru 36965 only 12 S/N 28000 thru 46754 only 13 S/N 28000 thru 47746 only 14 S/N 28000 thru 17248734 only 15 S/N 28000 thru 17249544 only 16 S/N 28000 thru 17258486 only 17 S/N 46518 and on 18 S/N 46755 and on 19 S/N 17247747 thru 17249085 only 20 S/N 17247747 thru 17249544 only 21 S/N 17247747 thru 17253392 only 22 S/N 17249545 and on 23 S/N 17254425 and on 24 S/N 17254893 and on 25 Also available as a FAA-PMA/STC approved split Fairing for easy installation and removal; add an "SP" suffix to the P/N. 26 For a wing with a standard leading edge radius 27 For kits including LH and RH see page 207. 28 Add "LL" suffix for FAA-PMA/STC wing tips including Quasar LED landing/taxi lights and optimized to accept LED nav/strobe lights. Must purchase as a LH and RH kit. See page 207. Add "LED" suffix for FAA-PMA/STC wing tips optimized to accept LED nav/strobe lights.		
172K,L,M S/N 17257162 thru 17267584		
Description	Idx	Part Number
Cap, Rudder Top	P	28-19-80A T
		28-04-80A 10 T
		K0533009-1-791 4 K
		K0531006-112 14 K
Cap, Vertical Fin All with 2 1/4" Beacon Base	O	SA-0533009-1 4 S
		SA-0531006-112 14 S
		28-24-80A T
		28-02 13 T
Fairing, Brake Cover, LH	K	GF0531033-1 14 K
		SA-0531003-1 14 S
		SA-0531013-1 9 S
Fairing, Brake Cover, RH	K	28-08-LBC 11 T
		SA-0541224-1 10 S
Fairing, Dorsal Fin, Aft	N	28-17 2 T
		K0531012-2 9 K
Fairing, Landing Gear, LH	J	SA-0531012-2 8 S
		244-4-9 8 A
Fairing, Landing Gear, RH	J	28-05-LGF 8 T
		SA-1741005-239 8 S
Fairing, Main Wheel, LH (Wheel Pant)	B	244-4-10 8 A
		GF0541223-01 11 K
Fairing, Main Wheel, RH (Wheel Pant)	B	SA-0541203-1 6 S
		SA-0541223-17 11 S
Fairing, Nose Wheel	C	GF0541223-02 11 K
		K0741046-202 1 K
		SA-0541203-2 6 S
		SA-0541223-16 11 S
		20-40N-80A 10 T
		GF0543079-00 11 K
		K0743625-14 1 K
		SA-0543065-1 7 S
		SA-0543079-3 12 S

Continued from previous column		
Description	Idx	Part Number
Fairing, Strut To Fuslg, LH	I	118-4-7 A
		28-07-LFS T
		K0522150-1 6 T
Fairing, Strut To Fuslg, RH	I	SA-0522150-1 15 S
		118-4-6 A
		28-07-RFS T
Fairing, Strut To Wing, LH	H	K0522150-2 6 T
		SA-0522150-2 15 S
		118-4-5 3 A
Fairing, Strut To Wing, RH	H	118-4-15 10 A
		28-06-LWS 3 T
		28-07-LWS 10 T
Fairing, Tailcone (Cable Covers) LH or RH	S	K0522150-3 3 T
		SA-0522150-3 3 15 S
		SA-0523047-1 10 15 S
Fairing Wing Rear Low, LH	L	118-4-4 3 A
		118-4-14 10 A
		28-06-RWS 3 T
Fairing Wing Rear Low, RH	L	28-07-RWS 10 T
		K0522150-4 3 T
		SA-0522150-4 3 15 S
Tip, Dorsal Fin	M	SA-0523047-2 10 15 S
		28-18 T
		SA-0530011-2 5 S
Tip, Elevator, LH	T	GF0520006-01 K
		GF0520006-02 K
		28-15 2 T
Tip, Elevator, RH	T	28-16 9 T
		SA-0531020-1 8 S
		28-09-L T
Tip, Rudder Butt	Q	28-09-L T
		GF0532001-94 K
		SA-0532001-94 S
Tip, Wing, Conical, LH	A	28-09-R T
		GF0532001-100 K
		SA-0532001-100 S
Tip, Wing, Conical, RH	A	28-12 T
		GF0531006-80-791 K
		SA-0531006-80 S
Tip, Wing, Hoerner Style	A	SA-0532001-93 S
		20-51L-80A 3 T
		20-52L-80A 10 T
Tip, Wing, Sym., LH or RH	A	GF0523565-29-791 5 K
		GF0723200-5 10 18 19 S
		SA-0723200-5 10 18 19 S
Tip, Wing, Conical, RH	A	SA-0523565-29 3 18 19 S
		20-51R-80A 3 T
		20-52R-80A 10 T
Tip, Wing, Hoerner Style	A	GF052356530-791 5 K
		GF0723200-6 10 18 19 S
		SA-0523565-30 3 18 19 S
Tip, Wing, Sym., LH or RH	A	SA-0523565-30 3 18 19 S
		GF0723200-6 10 18 19 S
		SA-0523565-30 3 18 19 S
Wing Pos., Light Shield, LH	A	SA-0523565-30 3 18 19 S
		11004 (set of two) 1 K
		219-4-5 3 16 A
Wing Pos., Light Shield, RH	A	219-4-7 10 17 A
		219-4-6 3 16 A
		219-4-8 10 17 A
1 S/N 17257162 thru 17259223 only 2 S/N 17257162 thru 17259903 only 3 S/N 17257162 thru 17260758 only 4 S/N 17257162 thru 17265684 only 5 S/N 17259224 thru 17260758 only 6 S/N 17259224 thru 17261898 only 7 S/N 17259224 thru 17263458 only 8 S/N 17259224 and on 9 S/N 17259904 and on 10 S/N 17260759 and on 11 S/N 17261899 and on 12 S/N 17263459 and on 13 S/N 17265485 and on 14 S/N 17265685 and on 15 Also available as a FAA-PMA/STC approved split Fairing for easy installation and removal; add an "SP" suffix to the P/N. 16 For a wing with a standard leading edge radius 17 For a wing with STOL leading edge radius 18 For kits including LH and RH see page 207. 19 Add "LL" suffix for FAA-PMA/STC wing tips including Quasar LED landing/taxi lights and optimized to accept LED nav/strobe lights. Must purchase as a LH and RH kit. See page 207. Add "LED" suffix for FAA-PMA/STC wing tips optimized to accept LED nav/strobe lights.		

Eligibility continues in next column
 Manufacturer/Material: **A** Aircraft Development/Fiberglass, **K** Knots 2U/Fiberglass, **S** Stene Aviation/Fiberglass, **T** Texas Aeroplastics/ABS Plastic Parts

Exterior Plastic/Fiberglass Trim and Fairings

Cessna 170, 172, 175 and 177 Series Aircraft

172N,P,Q,R,S
S/N 17267585 thru 172S9999

Description	Idx	Part Number
Cap, Rudder Top	P	28-04-80A 4 1 T
		K0533155-2 8 K
		K0531006-112 2 K
		SA-0531006-112 4 S
Cap, Vertical Fin 2 1/4" Beacon Base	O	28-02 1 T
		GF0531033-1 K
		SA-0531003-1 1 13 S
Fairing, Brake Cover, LH	K	28-08-LBC T
		SA-0541224-1 S
Fairing, Brake Cover, RH	K	28-08-RBC T
		SA-0541224-2 S
Fairing, Dorsal Fin, Aft	N	K0531012-2 K
		SA-0531012-2 S
Fairing, Landing Gear, LH	J	244-4-9 4 1 A
		28-05-LGF 4 T
		SA-1741005-239 4 S
		SA-1741005-59 8 S
Fairing, Landing Gear, RH	J	244-4-10 4 1 A
		28-05-RGF 4 T
		SA-1741005-240 4 S
		SA-1741005-60 8 S
Fairing, Main Wheel, LH (Wheel Pant)	B	GF0541223-01 K
		SA-0541223-17 S
Fairing, Main Wheel, RH (Wheel Pant)	B	GF0541223-02 K
		SA-0541223-16 S
Fairing, Nose Wheel	C	20-40N-80A T
		GF0543079-00 K
Fairing, Strut To Fuslg, LH	I	SA-0543079-3 S
		118-4-7 A
Fairing, Strut To Fuslg, LH	I	28-07-LFS T
		K0522150-1 T
		SA-0522150-1 9 S
		118-4-6 A
Fairing, Strut To Fuslg, RH	I	28-07-RFS T
		K0522150-2 T
		SA-0522150-2 9 S
		118-4-15 A
Fairing, Strut To Wing, LH	H	28-07-LWS T
		SA-0523047-1 9 S
Fairing, Strut To Wing, RH	H	118-4-14 A
		28-07-RWS T
Fairing, Tailcone (Cable Covers) LH or RH	S	SA-0530011-2 S
		28-18 5 T
Fairing Wing Rear Low, LH	L	GF0520006-01 4 K
Fairing Wing Rear Low, RH	L	GF0520006-02 4 K
Tip, Dorsal Fin	M	28-16 3 T
		SA-0531020-1 S
Tip, Elevator, LH	T	28-09-L T
		GF0532001-94 K
Tip, Elevator, RH	T	SA-0532001-94 S
		28-09-R T
Tip, Rudder Butt	Q	GF0532001-100 K
		SA-0532001-100 S
Tip, Horiz. Stab., LH or RH	D	28-11 7 T
		28-12 2 T
		GF053100680-791 2 K
		K0533155-1 8 K
Tip, Wing, LH	A	SA-0531006-80 4 S
		SA-0533155-1 8 S
		28-10 7 T
		GF0532001-00 7 K
Tip, Wing, RH	A	SA-0532001-93 S
		20-52L-80A T
		GF0723200-5 5 K
		SA-0723200-5 5 11 12 S
Tip, Wing, RH	A	SA-0723205-1 8 S
		20-52R-80A T
		GF0723200-6 5 K
		SA-0723200-6 5 11 12 S
Wing Pos., Light Shield, LH	A	219-4-7 10 A
		219-4-8 10 A

Continued from previous column

1 S/N 17267585 thru 17274009 only
2 S/N 17267585 thru 17275953 only
3 S/N 17267585 thru 17276260 only
4 S/N 17267585 thru 17276654 only
5 S/N 17267585 and on
6 S/N 17274010 thru 17276654 only
7 S/N 17275954 and on
8 S/N 17280001 and on
9 Also available as a FAA-PMA/STC approved split Fairing for easy installation and removal; add an "SP" suffix to the P/N.
10 For a wing with STOL leading edge radius
11 For kits including LH and RH see page 207.
12 Add "LL" suffix for FAA-PMA/STC wing tips including Quasar LED landing/taxi lights and optimized to accept LED nav/strobe lights. Must purchase as a LH and RH kit. See page 207.
13 Add "LED" suffix for FAA-PMA/STC wing tips optimized to accept LED nav/strobe lights.

172RG, FP172, FR172E, FR172K, P172D, R172E,F,G,H,J,K
S/N 172RG0001 thru 172RG1191
S/N FP172-0001 thru FP172-0003
S/N FR172-0001 thru FR172-0060
S/N FR17200591 thru FR17200675
S/N P17257120 thru P17257188
S/N R172-0001 thru R1723454

Description	Idx	Part Number
Cap, Rudder Top	P	28-04-80A 2 T
		K0531006-34 12 K
		K0531006-112 13 K
		SA-0531006-112 7 S
Cap, Vertical Fin All with 2 1/4" Beacon Base	O	GF0531033-1 1 10 K
		SA-0531003-1 5 S
Fairing, Brake Cover, LH	K	SA-0541224-1 3 S
Fairing, Brake Cover, RH	K	SA-0541224-2 3 S
Fairing, Dorsal Fin, Aft	N	K0531012-2 3 K
Fairing, Landing Gear, LH	J	244-4-9 3 A
		SA-1741005-239 3 S
Fairing, Landing Gear, RH	J	244-4-10 2 A
		SA-1741005-240 2 S
Fairing, Main Wheel, LH (Wheel Pant)	B	GF0541223-01 3 K
		SA-0541223-17 3 S
Fairing, Main Wheel, RH (Wheel Pant)	B	GF0541223-02 3 K
		SA-0541223-16 3 S
Fairing, Nose Wheel	C	GF0543079-00 3 K
		SA-0543079-3 3 S
Fairing, Strut To Fuslg, LH	I	118-4-7 13 A
		K0522150-1 11 T
Fairing, Strut To Fuslg, RH	I	SA-0522150-1 11 13 S
		118-4-6 13 A
Fairing, Strut To Wing, LH	H	118-4-15 14 A
		K0522150-3 8 T
Fairing, Strut To Wing, RH	H	SA-0523047-1 5 S
		SA-0522150-3 8 S
Fairing, Tailcone (Cable Covers) LH or RH	S	SA-0530011-2 5 S
		28-18 5 T
Fairing Wing Rear Low, LH	L	GF0520006-01 1 K
		GF0520006-02 1 K
Tip, Dorsal Fin	M	SA-0531020-1 5 S
		28-09-L 9 K
Tip, Elevator, LH	T	SA-0532001-94 6 S
		GF0532001-100 9 K
Tip, Elevator, RH	T	SA-0532001-100 6 S
		GF0532001-94 6 S
Tip, Rudder Butt	Q	GF053100680-791 7 K
		K0531006-35 8 K
Tip, Horiz. Stab., LH or RH	R	SA-0531006-80 5 S
		GF0532001-00 9 K
Tip, Wing, LH	A	SA-0532001-93 5 S
		20-52L-80A 7 T
Tip, Wing, RH	A	GF0723200-5 1 3 K
		SA-0723200-5 7 17 18 S
Tip, Wing, Sym., LH or RH	A	20-52R-80A 7 T
		GF0723200-6 1 3 K
Wing Pos., Light Shield, LH	A	SA-0723200-6 7 17 18 S
		K0723615-200 8 K
Wing Pos., Light Shield, RH	A	219-4-7 10 A
		219-4-8 10 A

Continued from previous column

1 S/N 172RG0001 thru 172RG1178 only
2 Model 172RG only
3 Model R172K only
4 Model P172D only
5 Models 172RG and R172K only
6 Models 172RG, R172K and P172D only
7 Models 172RG, FR172K and R172K only
8 Models FP172 and P172D only
9 Models FP172, FR172K, P172 and R172K only
10 Models FR172K and R172K only
11 Models 172RG, FP172, R172K and P172D only
12 Models P172D, FP172, FR172E only
13 Models R172K and 172RG S/N 172RG0001 thru 172RG1134
14 Models R172RG, P172D, R172E,F,G,H,J,K only
15 Also available as a FAA-PMA/STC approved split Fairing for easy installation and removal; add an "SP" suffix to the P/N.
16 For a wing with STOL leading edge radius
17 For kits including LH and RH see page 207.
18 Add "LL" suffix for FAA-PMA/STC wing tips including Quasar LED landing/taxi lights and optimized to accept LED nav/strobe lights. Must purchase as a LH and RH kit. See page 207.
19 Add "LED" suffix for FAA-PMA/STC wing tips optimized to accept LED nav/strobe lights.

F172D,E,F,G,H,K,L,M,N,P
S/N F172-0001 thru F17202254

Description	Idx	Part Number
Cap, Rudder Top	P	28-04-80A 17 T
		28-0531006-34-80A 11 T
		28-19-80A 11 T
		K0531006-34 1 K
Cap, Vertical Fin No Beacon Base	O	K0531006-112 17 K
		SA-0531006-34 2 S
		SA-0531006-112 16 S
		SA-0531009-1 6 S
Cap, Vertical Fin 2 1/4" Beacon Base	O	SA-0533009-1 8 S
		28-0531006-33-80A 11 T
		SA-0531006-33 4 S
		28-0531109-180A 5 T
Fairing, Brake Cover, LH	K	28-24-80A 10 T
		GF0531033-1 18 K
Fairing, Brake Cover, RH	K	SA-0531013-1 8 S
		SA-0531033-6 16 S
Fairing, Dorsal Fin, Aft	N	SA-0541224-1 16 S
		SA-0541224-2 16 S
Fairing, Landing Gear, LH	J	28-17 10 T
		K0531012-2 K
Fairing, Landing Gear, RH	J	GF0541223-01 16 K
		SA-1741005-239 13 S
Fairing, Main Wheel, LH (Wheel Pant)	B	GF0541223-02 16 K
		SA-1741005-240 13 S
Fairing, Main Wheel, RH (Wheel Pant)	B	SA-0541223-17 16 S
		K0741046-203 2 K
Fairing, Nose Wheel	C	SA-0541203-1 14 S
		SA-0541203-2 14 S
Fairing Wing Rear Low, LH	L	SA-0541223-16 16 S
		20-40N-80A 16 T
Fairing Wing Rear Low, RH	L	GF0543079-00 16 K
		SA-0543065-1 14 K
Fairing, Strut To Wing, LH	H	SA-0543079-3 16 S
		K0522150-1 T
Fairing, Strut To Wing, RH	H	SA-0522150-1 T
		K0522150-2 T
Tip, Elevator, LH	T	SA-0522150-2 S
		K0522150-3 3 T
Tip, Elevator, RH	T	SA-0522150-3 3 T
		SA-0523047-1 16 S
Tip, Rudder Butt	Q	K0522150-4 3 T
		SA-0522150-4 3 S
Tip, Horiz. Stab., LH or RH	R	SA-0522150-4 8 S
		28-21-80A 4 T
Tip, Elevator, LH	T	K0531006-35 1 K
		SA-0531006-80 2 S
Tip, Elevator, RH	T	SA-0531006-80 9 S
		GF0532001-100 1 K
Tip, Wing, LH	A	SA-0532001-100 S
		28-21-80A 4 T
Tip, Wing, RH	A	K0531006-35 1 K
		GF053100680-791 12 K
Wing Pos., Light Shield, LH	A	SA-0531006-35 2 S
		SA-0531006-80 9 S
Wing Pos., Light Shield, RH	A	GF0532001-00 K
		SA-0532001-93 S

Eligibility continues in next column

Eligibility continues in next column

Eligibility continues on next page

Manufacturer/Material: **A** Aircraft Development/Fiberglass, **K** Knots 2U/Fiberglass, **S** Stene Aviation/Fiberglass, **T** Texas Aeroplastics/ABS Plastic Parts

Cessna 170, 172, 175 and 177 Series Aircraft

Continued from previous page		
Tip, Wing, LH	A	20-51L-80A 7 T
		20-52L-80A 16 T
		SA-0523565-29 13 19 S
		SA-0723200-5 16 19 S
Tip, Wing, RH	A	20-51R-80A 7 T
		20-52R-80A 16 T
		SA-0523565-30 13 19 S
		SA-0723200-6 16 19 S
Tip, Wing, Sym., LH or RH	A	K0723615-200 2 K
1 S/N F172-0001 thru F172-0559 only 2 S/N F172-0001 thru F17200754 only 3 S/N F172-0001 thru F17200904 only 4 S/N F172-0019 thru F17200754 only 5 S/N F172-0320 thru F172-0559 only 6 S/N F172-0320 thru F17200754 only 7 S/N F172-0320 thru F17200904 only 8 S/N F172-0320 thru F17201514 9 S/N F172-0320 and on 10 S/N F172-0560 thru F17201234 only 11 S/N F172-0560 thru F17201384 only 12 S/N F172-0560 and on 13 S/N F17200755 thru F17200904 14 S/N F17200755 thru F17201514 15 S/N F17200755 and on 16 S/N F17200905 and on 17 S/N F17201385 thru F17202208 only 18 S/N F17201385 and on 19 For kits including LH and RH see page 207.		
175, 175A, B, C S/N 55001 thru 17557119		
Description	Idx	Part Number
Cap, Rudder Top	P	SA-0531006-34 4 S
Cap, Vertical Fin	O	SA-0531001-36 1 S
No Beacon Base		SA-0531006-33 4 S
Cap, Vertical Fin	O	SA-0531004-3 1 S
Fairing, Strut To Fuslg, LH	I	118-4-7 A
		28-07-LFS 2 T
		K0522150-1 2 T
		SA-0522150-1 5 S
Fairing, Strut To Fuslg, RH	I	118-4-6 A
		28-07-RFS 2 T
		K0522150-2 2 T
		SA-0522150-2 5 S
Fairing, Strut To Wing, LH	H	118-4-5 A
		28-06-LWS 2 T
		K0522150-3 2 T
		SA-0522150-3 5 S
Fairing, Strut To Wing, RH	H	118-4-4 A
		28-06-RWS 2 T
		K0522150-4 2 T
		SA-0522150-4 5 S
Tip, Elevator, LH or RH	T	K0532001-62 3 S
		SA-0532001-62 3 S
Tip, Rudder Butt	Q	28-21-80A 4 T
		K0531104 1 K
		SA-0531104 1 S
		SA-0531006-35 4 S
Tip, Horiz. Stab., LH or RH	R	K0532001-61 4 K
		SA-0532001-61 4 S
Tip, Wing, Conical, LH	A	SA-0523565-29 8 9 S
Tip, Wing, Conical, RH	A	SA-0523565-30 8 9 S
Tip, Wing, Hoerner Style	A	11004 (set of two) K
Tip, Wing, Sym., LH or RH	A	K0723615-200 K
		SA-0723615-200 S
Wing Pos., Light Shield, LH	A	219-4-5 6 A
Wing Pos., Light Shield, RH	A	219-4-6 6 A
1 S/N 55001 thru 56238 only 2 S/N 56025 and on 3 S/N 56239 thru 17557064 only 4 S/N 56239 and on 5 Also available as a FAA-PMA/STC approved split Fairing for easy installation and removal; add an "SP" suffix to the P/N. 6 For a wing with a standard leading edge radius 7 8 For kits including LH and RH see page 207. 9 Add "LL" suffix for FAA-PMA/STC wing tips including Quasar LED landing/taxi lights and optimized to accept LED nav/strobe lights. Must purchase as a LH and RH kit. See page 207. Add "LED" suffix for FAA-PMA/STC wing tips optimized to accept LED nav/strobe lights.		

177, 177A, B, 177RG, F177RG		
S/N 17700001 thru 17702752		
S/N 177RG0001 thru 177RG1366		
S/N F177RG0001 thru F177RG0177		
Description	Idx	Part Number
Cap, Rudder Top	P	K1733009-2 K
		SA-1733009-2 6 S
Cap, Vertical Fin	O	SA-1731009-4 6 S
		K1731009-4 6 K
Fairing, Brake, LH	K	SA-0741634-13 2 S
		SA-1741027-1 4 S
Fairing, Brake, RH	K	SA-0741634-14 2 S
		SA-1741027-2 4 S
Fairing, Landing Gear, LH	J	SA-1741005-43 5 S
Fairing, Landing Gear, RH	J	SA-1741005-44 5 S
Fairing, Main Wheel, LH (Wheel Pant)	B	GF0541223-01 4 K
		K0741046-203 5 K
		SA-0541203-1 3 S
Fairing, Main Wheel, RH (Wheel Pant)	B	GF0541223-02 4 K
		K0741046-202 5 K
		SA-0541203-2 3 S
Fairing, Nose Wheel	C	20-40N-80A 3 T
		GF0543079-00 4 K
		K0743625-14 5 K
		SA-0543065-1 3 S
Tip, Horiz. Stab., LH or RH	R	GF1732024-1-791 K
		SA-1732024-1 6 S
Tip, Wing, LH	A	GF1723005-11 8 K
		SA-1723000-201 1 S
		SA-1723005-11 7 S
Tip, Wing, RH	A	GF1723005-12 8 K
		SA-1723000-200 1 S
		SA-1723005-12 7 S
Eligibility continues in next column		

Continued from previous column	
1	Model 177, 177A S/N 17700001 thru 17701370 only
2	Model 177B, S/N 17701371 thru 17702123 only
3	Model 177B S/N 17701371 and on
4	Model 177B S/N 17702124 and on
5	Model 177, 177A, B only
6	Model 177, 177A, B and 177RG only
7	Model 177B and 177RG only
8	Model 177B, 177RG and F177RG

Kits available for 170, 172, 175 and 177 aircraft

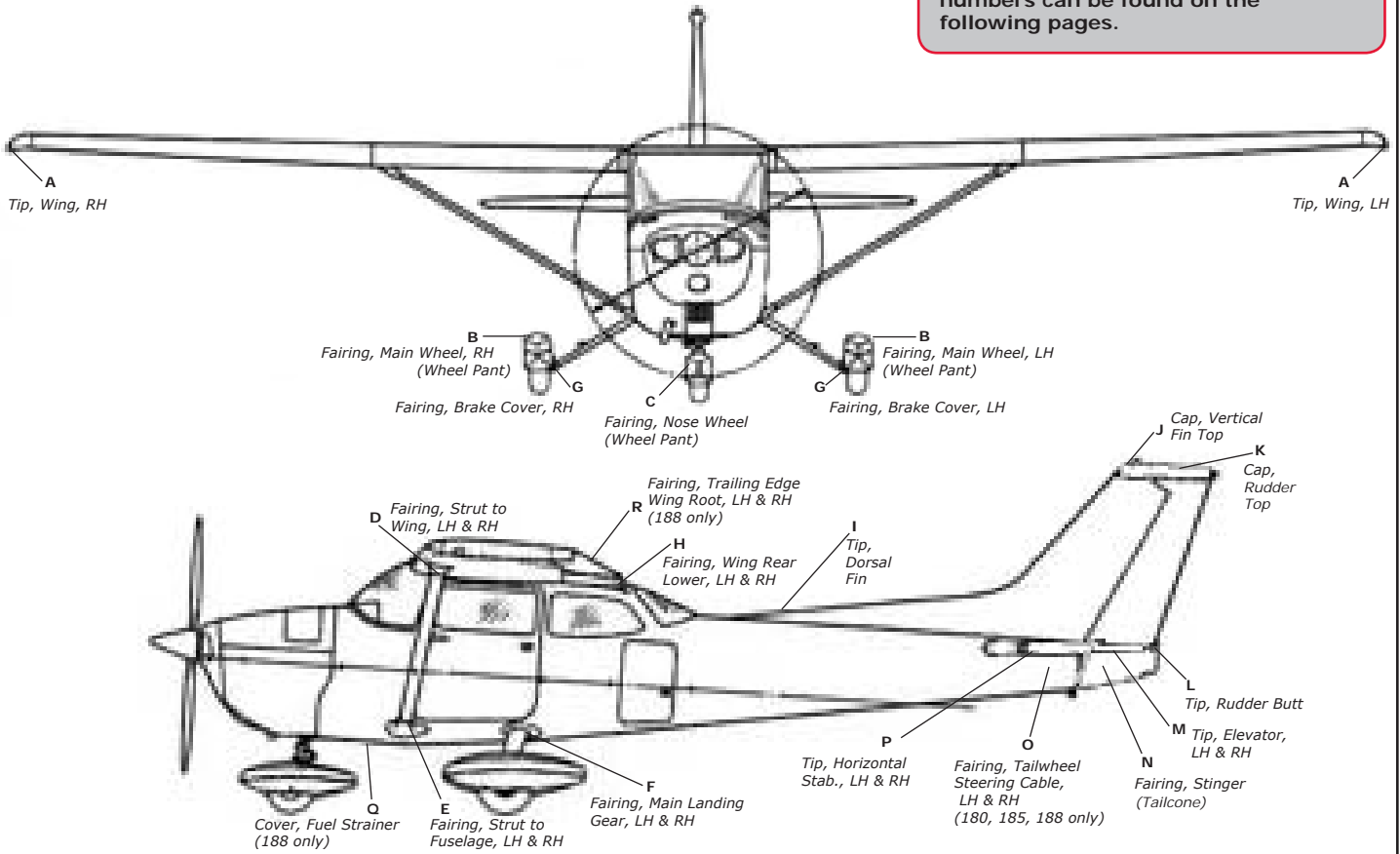
Kit P/N	Kit Description	Part Number	Item Description
118-12	Strut Fairing Kit, Fiberglass	118-4-7	Fairing, Strut To Fuselage, LH
		118-4-6	Fairing, Strut To Fuselage, RH
		118-4-5	Fairing, Strut To Wing, LH
118-32	Strut Fairing Kit, Fiberglass	118-4-4	Fairing, Strut To Wing, RH
		118-4-7	Fairing, Strut To Fuselage, LH
		118-4-6	Fairing, Strut To Fuselage, RH
28-05-80A	Landing Gear Fairing Kit	118-4-15	Fairing, Strut To Wing, LH
		118-4-14	Fairing, Strut To Wing, RH
		28-05-LGF	Fairing, Landing Gear, LH
28-06-80A	Strut Fairing Kit, Plastic	28-05-RGF	Fairing, Landing Gear, RH
		28-07-LFS	Fairing, Strut To Fuselage, LH
		28-07-RFS	Fairing, Strut To Fuselage, RH
28-07-80A	Strut Fairing Kit, Plastic	28-06-LWS	Fairing, Strut To Wing, LH
		28-06-RWS	Fairing, Strut To Wing, RH
		28-07-LFS	Fairing, Strut To Fuselage, LH
28-08-80A	Brake Cover Fairing Kit	28-07-RFS	Fairing, Strut To Fuselage, RH
		28-07-LWS	Fairing, Strut To Wing, LH
		28-07-RWS	Fairing, Strut To Wing, RH
KPS03	Split Strut Fairing Kit, Plastic	28-08-LBC	Fairing, Brake Cover, LH
		28-08-RBC	Fairing, Brake Cover, RH
		K0522150-1	Fairing, Strut to Fuselage, LH
SA-0522150-3412	Strut Fairing Kit, Fiberglass For FAA-PMA/STC split Fairings add an "SP" suffix to the kit P/N.	K0522150-2	Fairing, Strut to Fuselage, RH
		K0522150-3	Fairing, Strut to Wing, LH
		K0522150-4	Fairing, Strut to Wing, RH
SA-0523047-1212	Strut Fairing Kit, Fiberglass For FAA-PMA/STC split Fairings add an "SP" suffix to the kit P/N.	SA-0522150-1	Fairing, Strut to Fuselage, LH
		SA-0522150-2	Fairing, Strut to Fuselage, RH
		SA-0523047-1	Fairing, Strut to Wing, LH
SA-0523565-2930	Wing Tips 1 2	SA-0523047-2	Fairing, Strut to Wing, RH
		SA-0523565-29	Tip, Wing, Conical, LH
		SA-0523565-30	Tip, Wing, Conical, RH
SA-0723200-56	Wing Tips 1 2	SA-0723200-5	Tip, Wing, Conical, LH
		SA-0723200-6	Tip, Wing, Conical, RH

1 Add "LL" suffix for FAA-PMA/STC wing tips including Quasar LED landing/taxi lights and optimized to accept LED nav/strobe lights. Optional installation kit including all hardware required for installation of Quasar LED lighted wing tips is available. Kits include shielded wire, all connectors, switches and breaker. 14v installation kit USE P/N INSTALL14V. 28v installation kit USE P/N INSTALL28V.
2 Add "LED" suffix for FAA-PMA/STC wing tips optimized to accept LED nav/strobe lights.

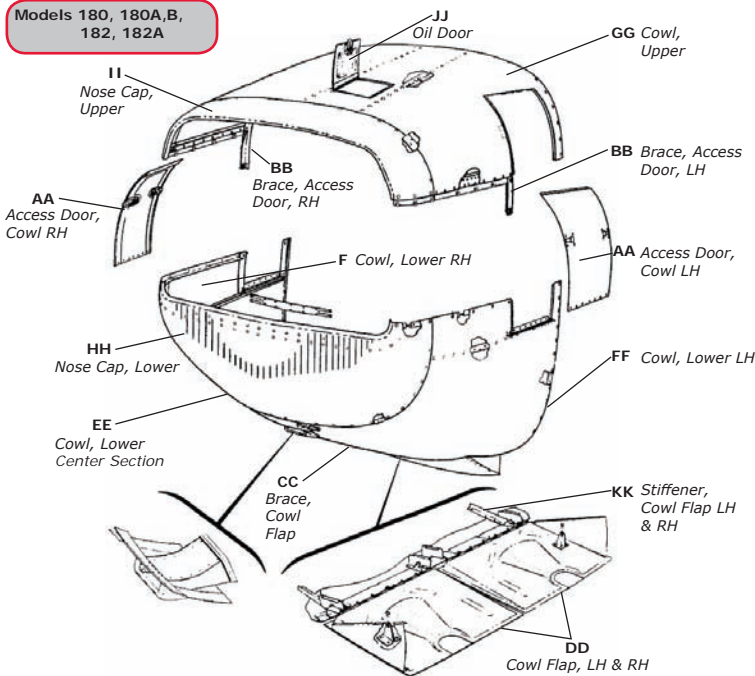
Improve the appearance and performance of your aircraft!

Strut and landing gear fairings, tail surface fairings, wing tips, and cowling fairings for Cessna 180-188 series aircraft available in ABS plastic and fiberglass.

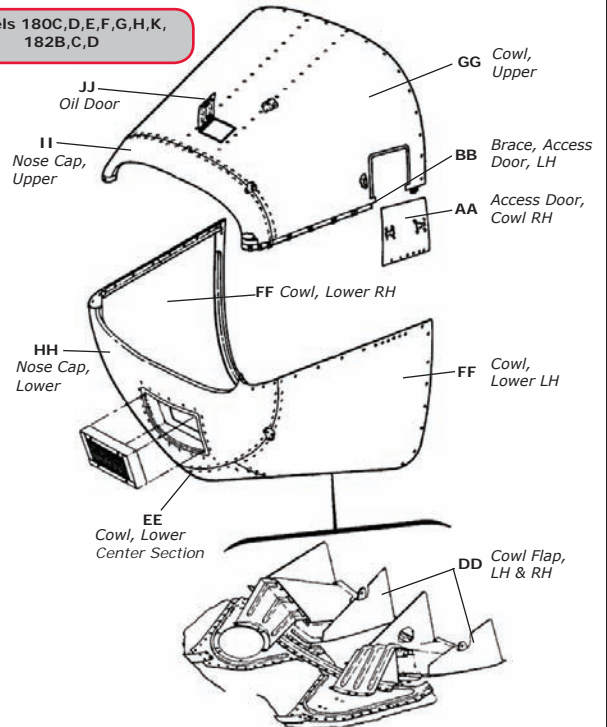
Eligibility tables for Cessna 180, 182, 185 and 188 aircraft with item descriptions, index reference and part numbers can be found on the following pages.



Models 180, 180A,B, 182, 182A



Models 180C,D,E,F,G,H,K, 182B,C,D



Exterior Plastic/Fiberglass Trim and Fairings

Cessna 180, 182, 185 and 188 Series Aircraft

180, 180A,B,C,D,E,F,G,H,J,K S/N 30000 thru 18053203		
Description	Idx	Part Number
Access Door, Cowl LH	AA	SC180701-1 2 K SC180703-1 11 K SC180704-1 20 K
Access Door, Cowl RH	AA	SC180702-1 2 K
Brace Access Door, LH	BB	SC180900-1 2 K
Brace Access Door, RH	BB	SC180900-2 2 K
Brace, Cowl Flap	CC	SC180901-2 2 K
Cap, Vertical Fin No Beacon Base	J	SA-0731000-200 16 S
Cap, Vertical Fin 2 1/4" Beacon Base	J	SA-0731019-1 19 S SA-0731019-2 20 S
Cap, Vertical Fin 3 1/2" Beacon Base	J	SA-0700031-2 2 S
Cowl Flap, LH	DD	SC180804-1 12 K
Cowl Flap, RH	DD	SC180805-1 12 K
Cowl Flap, LH Exhst Cutout	DD	SC180800-1 1 K SC180802-1 7 K
Cowl Flap, RH Exhst Cutout	DD	SC180801-1 1 K SC180803-1 7 K SC180501-1 1 K SC180502-1 7 K SC180504-1 10 K SC180505-1 17 K
Cowl, Lower Center Section	EE	SC180405-1 13 K SC180401-1 2 K SC180403-1 9 K SC180406-1 15 K SC180402-1 2 K SC180404-1 9 K
Cowl, Lower Left (Camloc)	FF	SC180405-1 13 K
Cowl, Lower Left (Screws)	FF	SC180401-1 2 K SC180403-1 9 K
Cowl, Lower Right (Camloc)	FF	SC180406-1 15 K
Cowl, Lower Right (Screws)	FF	SC180402-1 2 K SC180404-1 9 K
Cowl, Upper	GG	SC180200-1 2 K SC180201-1 9 K SC180202-1 13 K SC180203-1 13 K SC180204-1 20 K
Fairing, Brake Cover, LH	G	SA-0741059-1 5 S
Fairing, Brake Cover, RH	G	SA-0741059-2 5 S
Fairing, Main Wheel, LH (Wheel Pant)	B	SA-0741070-1 24 S
Fairing, Main Wheel, RH (Wheel Pant)	B	SA-0741070-2 24 S
Fairing, Stinger (Tailcone)	N	SA-0712400-9 5 S 118-4-11 A 180-LFS-T T K0723605-1 9 T SA-0723605-1 26 S
Fairing, Strut To Fuslg, LH	E	118-4-10 A 180-RFS-T T K0723605-2 8 T SA-0723605-2 26 S
Fairing, Strut To Fuslg, RH	E	118-4-9 A 180-LWS T K0723605-3 8 T SA-0723605-3 26 S
Fairing, Strut To Wing, LH	D	118-4-8 A 180-RWS T K0723605-4 8 T
Fairing, Tailwhl Strg Cbl LH	O	SA-0712309-9 5 S
Fairing, Tailwhl Strg Cbl RH	O	SA-0712309-10 5 S
Nose Cap, Lower (Camloc Air Filter)	HH	SC180604-1 14 K SC180605-1 18 K
Nose Cap, Lower (Camloc Landing Light)	HH	SC180606-1 23 K
Nose Cap, Lower (Screws)	HH	SC180601-1 1 K SC180602-1 8 K
Nose Cap, Lower (Screws Air Filter)	HH	SC180603-1 9 K
Nose Cap, Upper	II	SC180301-1 1 K SC180302-1 7 K SC180303-1 9 K SC180304-1 14 K SC180305-1 20 K SC180752-1 20 K
Oil Door	JJ	WAC752000 3 T
Stiffener, Cowl Flap LH	KK	SC180900-3 2 K
Stiffener, Cowl Flap RH	KK	SC180900-4 2 K
Tip, Horiz. Stab., LH or RH	P	31-11 6 T SA-0732613-1 1 K 20-51L-80A 18 T 20-52L-80A 22 T GF0723200-5 22 K SA-0723200-5 22 B 31 S
Tip, Wing, LH	A	

Continued from previous column		
Description	Idx	Part Number
Tip, Wing, RH	A	20-51R-80A 18 T 20-52R-80A 22 T GF0723200-6 22 K SA-0723200-6 22 B 31 S
Tip, Wing, Conical, LH	A	GF0523565-29791 19 K SA-0523565-29 21 B 31 S
Tip, Wing, Conical, RH	A	GF0523565-30791 21 K SA-0523565-30 21 B 31 S
Tip, Wing, Hoerner Style	A	11004 (set of two) 5 K
Tip, Wing, Sym., LH or RH	A	K0723615-200 6 K SA-0723615-200 5 S
Wing Pos., Light Shield, LH	A	219-4-5 5 B A 219-4-7 22 B A
Wing Pos., Light Shield, RH	A	219-4-6 5 B A 219-4-8 22 B A
1 S/N 30000 thru 32261 only		
2 S/N 30000 thru 50661 only		
3 S/N 30000 thru 18051445 only		
4 S/N 30000 thru 18051774 only		
5 S/N 30000 thru 18052284 only		
6 S/N 30000 thru 18052384 only		
7 S/N 32662 thru 50661 only		
8 S/N 50386 and on		
9 S/N 50662 thru 50911 only		
10 S/N 50662 thru 18051183 only		
11 S/N 50662 thru 18051445 only		
12 S/N 50662 and on		
13 S/N 18050912 thru 18051445		
14 S/N 18050912 thru 18052284		
15 S/N 18050912 and on		
16 S/N 18051184 thru 18052770 only		
17 S/N 18051184 and on		
18 S/N 18051446 thru 18052284 only		
19 S/N 18051446 thru 18052989 only		
20 S/N 18051446 and on		
21 S/N 18052176 thru 18052284 only		
22 S/N 18052285 and on		
23 S/N 18052385 and on		
24 S/N 18052771 and on		
25 S/N 30000 thru 32261 that have been modified with the Kenmore gross weight increase and have the large vertical fin.		
26 Also available as a FAA-PMA/STC approved split Fairing for easy installation and removal; add an "SP" suffix to the P/N.		
27 P/N WAC752000 is an aluminum oil door manufactured by McFarlane Aviation Products.		
28 For a wing with a standard leading edge radius		
29 For a wing with STOL leading edge radius		
30 For kits including LH and RH see page 212.		
31 Add "LL" suffix for FAA-PMA/STC wing tips including Quasar LED landing/taxi lights and optimized to accept LED nav/strobe lights. Must purchase as a LH and RH kit. See page 212.		
32 Add "LED" suffix for FAA-PMA/STC wing tips optimized to accept LED nav/strobe lights.		
182, 182A,B,C,D,E,F,G,H,J,K,L,M,N S/N 33000 thru 18260825		
Description	Idx	Part Number
Access Door, Cowl LH	AA	SC180701-1 1 K SC180703-1 8 K
Access Door, Cowl RH	AA	SC180702-1 1 K
Brace Access Door, LH	BB	SC180900-1 3 K
Brace Access Door, RH	BB	SC180900-2 3 K GF0731606-04 13 K GF0731606-01 16 K SA-0731006-6 16 S SA-1231001-2 16 S
Cap, Rudder Top	K	GF0731606-03 12 K K0731606-1 16 K SA-0731606-1 16 S SA-0731000-200 2 S
Cap, Vertical Fin No Beacon Base	J	
Cap, Vertical Fin Small Beacon Base	J	K0731606-3 16 K
Cap, Vertical Fin 2 1/4" Beacon Base	J	SA-0731019-1 2 S SA-0731606-3 16 S
Cap, Vertical Fin 3 1/2" Beacon Base	J	SA-0700031-2 2 S SA-1200039-2 10 S
Cowl Flap, LH	DD	SC180804-1 8 K
Cowl Flap, RH	DD	SC180805-1 8 K
Cowl, Lower Center Section	EE	SC180502-2 1 K SC180504-1 8 K
Cowl, Lower Left (Camloc)	FF	SC180405-1 11 K
Cowl, Lower Left (Screws)	FF	SC180403-1 7 K
Cowl, Lower Left (Screws, No Cowl Flap)	FF	SC180401-2 1 K

Continued from previous column		
Description	Idx	Part Number
Cowl, Lower Right (Camloc)	FF	SC180406-1 11 K
Cowl, Lower Right (Screws)	FF	SC180404-1 7 K
Cowl, Lower Right (Screws, No Cowl Flap)	FF	SC180402-2 1 K
Cowl, Upper	GG	SC180200-1 1 K SC180201-1 7 K SC180202-1 11 K
Fairing, Main Wheel, LH (Wheel Pant)	B	K0741046-203 15 K SA-0541203-1 18 S
Fairing, Main Wheel, RH (Wheel Pant)	B	K0741046-202 15 K SA-0541203-2 18 S
Fairing, Nose Wheel	C	K0743625-14 15 K SA-0543065-1 18 S K1212010-19 13 K SA-1212010-15 5 S 118-4-11 3 A 118-4-17 13 A 182-LFS T K0723612-3 13 T SA-0723605-1 3 20 S SA-0723612-3 13 20 S
Fairing, Stinger (Tailcone)	N	118-4-10 3 A 118-4-16 13 A 182-RFS T K0723612-4 13 T SA-0723605-2 3 20 S SA-0723612-4 13 20 S
Fairing, Strut To Fuslg, LH	E	118-4-9 A 180-LWS T K0723605-3 9 T SA-0723605-3 20 S
Fairing, Strut To Wing, LH	D	118-4-8 A 180-RWS T K0723605-4 9 T SA-0723605-4 20 S
Fairing, Strut To Wing, RH	D	
Nose Cap, Lower (Camloc Air Filter)	HH	SC180604-1 11 K
Nose Cap, Lower (Screws)	HH	SC180602-1 1 K
Nose Cap, Lower (Screws Air Filter)	HH	SC180603-1 7 K
Nose Cap, Upper	II	SC180302-1 1 K SC180303-1 7 K SC180304-1 11 K
Oil Door (Aluminum)	JJ	WAC752000 4 31-10 LEFT 14 T SA-1234608-01 14 K SA-1234608-3 14 S 31-10 RIGHT 14 T GF1234608-02 14 K SA-1234608-4 14 S 31-11 4 T 31-09 T
Tip, Elevator, LH	M	GF1234608-01 14 K SA-1234608-3 14 S
Tip, Elevator, RH	M	31-10 RIGHT 14 T GF1234608-02 14 K SA-1234608-4 14 S
Tip, Horiz. Stab., LH or RH	P	31-11 4 T 31-09 T SA-0732613-1 2 S GF1232604-1 14 K SA-1232604-1 14 S
Tip, Wing, LH	A	20-51L-80A 18 T
Tip, Wing, RH	A	20-51R-80A 18 T
Tip, Wing, Conical, LH	A	GF0523565-29791 19 K SA-0523565-29 22 B 31 S
Tip, Wing, Conical, RH	A	GF0523565-30791 19 K SA-0523565-30 22 B 31 S
Tip, Wing, Hoerner Style	A	11004 (set of two) K
Tip, Wing, Sym., LH or RH	A	K0723615-200 6 K SA-0723615-200 5 S
Wing Pos., Light Shield, LH	A	219-4-5 21 A
Wing Pos., Light Shield, RH	A	219-4-6 21 A

Eligibility continues in next column

Eligibility continues in next column

Eligibility continues on next page

Manufacturer/Material: **A** Aircraft Development/Fiberglass, **K** Knots 2U/Fiberglass, **S** Stene Aviation/Fiberglass, **T** Texas Aeroplastics/ABS Plastic Parts

Cessna 180, 182, 185 and 188 Series Aircraft

Continued from previous page

1 S/N 33000 thru 51556 only
 2 S/N 33000 thru 52358 only
 3 S/N 33000 thru 18253598 only
 4 S/N 33000 thru 18255844 only
 5 S/N 33000 thru 18259305 only
 6 S/N 33000 thru 18260055 only
 7 S/N 51557 thru 53007 only
 8 S/N 51557 thru 18253598 only
 9 S/N 51557 and on
 10 S/N 52359 thru 18257625 only
 11 S/N 18253008 thru 18253598 only
 12 S/N 18253599 thru 18257625 only
 13 S/N 18253599 and on
 14 S/N 18255845 and on
 15 S/N 18257626 thru 18260445 only
 16 S/N 18257626 and on
 17 S/N 18258686 and on
 18 S/N 18260056 thru 18260825 only
 19 S/N 18260446 thru 18260825 only
 20 Also available as a FAA-PMA/STC approved split Fairing for easy install & removal; add "SP" suffix to the P/N.
 21 For a wing with a standard leading edge radius
 22 For kits including LH and RH see page 212.
 23 Add "LL" suffix for FAA-PMA/STC wing tips including Quasar LED landing/taxi lights and optimized to accept LED nav/strobe lights. Must purchase as a LH and RH kit. See page 212.
 Add "LED" suffix for FAA-PMA/STC wing tips optimized to accept LED nav/strobe lights.

182P,Q,R, T182
S/N 18260826 thru 18268586

Description	Idx	Part Number
Cap, Rudder Top	K	GF0731606-04 [K] GF0731606-01 [3K] SA-0731606-6 [3S] SA-0731606-9 [10S]
Cap, Vertical Fin No Beacon Base	J	GF0731606-03 [10K] K0731606-1 [3K] SA-0731606-1 [3S] SA-0731606-10 [10S]
Cap, Vertical Fin Small Beacon Base	J	K0731606-3 [3K] K1231064 [10K]
Cap, Vertical Fin 2 1/4" Beacon Base	J	SA-0731606-3 [1S] SA-1231059-1 [3S] SA-1231064-1 [10S]
Fairing, Brake Cover, LH	G	31-07-LBC [2T] 31-08-LBC [8T] SA-0741634-11 [8S] SA-0741634-17 [2S] SA-0741641-15 [12S]
Fairing, Brake Cover, RH	G	31-07-RBC [2T] 31-08-RBC [8T] SA-0741634-10 [8S] SA-0741634-18 [2S] SA-0741641-14 [12S]
Fairing, Gear Leg, LH	F	244-4-1 [3A] SA-1741005-201 [4S]
Fairing, Gear Leg, RH	F	244-4-2 [3A] SA-1741005-200 [4S]
Fairing Land. Gear Strut LH	F	244-4-7 [10A] 31-03-LGF [10T] SA-0741052-201 [10S]
Fairing Land. Gear Strut RH	F	244-4-8 [10A] 31-03-RGF [10T] SA-0741052-200 [10S]
Fairing, Main Wheel, LH (Wheel Pant)	B	GF0541223-01 [9K] SA-0541223-17 [9S]
Fairing, Main Wheel, RH (Wheel Pant)	B	GF0541223-02 [9K] SA-0541223-16 [9S]
Fairing, Nose Wheel	C	20-40N-80A [T] GF0543079-00 [9K] SA-0543079-3 [9S]
Fairing, Stinger (Tailcone)	N	K1212010-19 [K] SA-1212010-15 [S] 118-4-17 [A] 182-LFS [T]
Fairing, Strut To Fuslg, LH	E	K0723612-3 [T] SA-0723612-3 [13S] 118-4-16 [A] 182-RFS [T]
Fairing, Strut To Fuslg, RH	E	K0723612-4 [T] SA-0723612-4 [13S] 118-4-9 [A] 180-LWS [T] K0723605-3 [T] SA-0723605-3 [13S]

Continued from previous column

Description	Idx	Part Number
Fairing, Strut To Wing, RH	D	118-4-8 [A] 180-RWS [T] K0723605-4 [T] SA-0723605-4 [13S]
Tip, Dorsal Fin	I	31-12 [7T]
Tip, Elevator, LH	M	31-10 LEFT [T] GF1234608-01 [K] SA-1234608-3 [S]
Tip, Elevator, RH	M	31-10 RIGHT [T] GF1234608-02 [K] SA-1234608-4 [S]
Tip, Horiz. Stab., LH or RH	P	31-09 [5T] GF1232604-1 [5K] GF1232604-2 [11K] SA-1232604-1 [5S]
Tip, Wing, LH	A	20-52L-80A [T] GF0723200-5 [K] SA-0723200-5 [1516S]
Tip, Wing, RH	A	20-52R-80A [T] GF0723200-6 [K] SA-0723200-6 [1516S]
Wing Pos., Light Shield, LH	A	219-4-7 [14A]
Wing Pos., Light Shield, RH	A	219-4-8 [14A]

1 S/N 18260826 thru 18261425 only
 2 S/N 18260826 thru 18263475 only
 3 S/N 18260826 thru 18264295 only
 4 S/N 18260826 thru 18265175 only
 5 S/N 18260826 thru 18267300 only
 6 S/N 18261426 thru 18264295 only
 7 S/N 18262466 and on
 8 S/N 18263476 thru 18265590 only
 9 S/N 18263476 and on
 10 S/N 18264296 and on
 11 S/N 18267301 and on
 12 S/N 18265176 and on
 13 Also available as a FAA-PMA/STC approved split Fairing for easy installation and removal; add an "SP" suffix to the P/N.
 14 For a wing with STOL leading edge radius
 15 For kits including LH and RH see page 212.
 16 Add "LL" suffix for FAA-PMA/STC wing tips including Quasar LED landing/taxi lights and optimized to accept LED nav/strobe lights. Must purchase as a LH and RH kit. See page 212.
 Add "LED" suffix for FAA-PMA/STC wing tips optimized to accept LED nav/strobe lights.

182S, T, T182T
S/N 18280001 thru 18299999 and S/N T18208001 thru T18299999

Description	Idx	Part Number
Cap, Rudder Top	K	GF0731606-04 [1K] SA-0731606-9 [S]
Cap, Vertical Fin Small Beacon Base	J	K1231064 [K]
Cap, Vertical Fin 2 1/4" Beacon Base	J	SA-0731606-11 [1S] SA-1231064-10 [2S]
Fairing, Brake Cover, LH	G	31-08-LBC [T] SA-0741641-15 [1S]
Fairing, Brake Cover, RH	G	31-08-RBC [T] SA-0741641-14 [1S]
Fairing Land. Gear Strut LH	F	SA-0741052-11 [S]
Fairing Land. Gear Strut RH	F	SA-0741052-12 [S]
Fairing, Main Wheel, LH (Wheel Pant)	B	K0741648-01 [2K] GF0541223-01 [1K] SA-0541223-17 [1S] SA-0741647-1 [2S] K0741648-02 [2K] GF0541223-02 [1K] SA-0541223-16 [1S] SA-0741647-2 [2S]
Fairing, Main Wheel, RH (Wheel Pant)	B	20-40N-80A [T] GF0543079-00 [1K] K0743050 [2K] SA-0543079-3 [1S] SA-0743050-14 [2S]
Fairing, Nose Wheel	C	K1212010-19 [K] SA-1212010-15 [S] 118-4-17 [1A] 182-LFS [T] K0723612-3 [1T] SA-0720702-9 [2S] SA-0723612-3 [13S]
Fairing, Stinger (Tailcone)	N	K1212010-19 [K] SA-1212010-15 [S] 118-4-17 [1A] 182-LFS [T] K0723612-3 [1T] SA-0720702-9 [2S] SA-0723612-3 [13S]
Fairing, Strut To Fuslg, LH	E	K0723612-3 [1T] SA-0720702-9 [2S] SA-0723612-3 [13S]

Continued from previous column

Description	Idx	Part Number
Fairing, Strut To Fuslg, RH	E	118-4-16 [1A] 182-RFS [T] K0723612-4 [1T] SA-0720702-10 [2S] SA-0723612-4 [13S]
Fairing, Strut To Wing, LH	D	118-4-9 [1A] 180-LWS [T] K0723605-3 [1T] SA-0720702-1 [2S] SA-0723605-3 [13S]
Fairing, Strut To Wing, RH	D	118-4-8 [1A] 180-RWS [T] K0723605-4 [1T] SA-0720702-2 [2S] SA-0723605-4 [13S]
Tip, Elevator, LH	M	GF1234608-01 [1K] SA-1234608-3 [S]
Tip, Elevator, RH	M	GF1234608-02 [1K] SA-1234608-4 [S]
Tip, Horiz. Stab., LH or RH	P	GF1232604-2 [1K] SA-1232604-2 [S]
Tip, Wing, LH	A	20-52L-80A [T] GF0723200-5 [1516S] SA-0723200-5 [1516S] SA-0723205-1 [2S]
Tip, Wing, RH	A	20-52R-80A [T] GF0723200-6 [1K] SA-0723200-6 [1516S] SA-0723205-2 [2S]
Wing Pos., Light Shield, LH	A	219-4-7 [14A]
Wing Pos., Light Shield, RH	A	219-4-8 [14A]

1 Model 182S only
 2 Models 182T, T182T only
 3 Also available as a FAA-PMA/STC approved split Fairing for easy installation and removal; add an "SP" suffix to the P/N.
 4 For a wing with STOL leading edge radius
 5 For kits including LH and RH see page 212.
 6 Add "LL" suffix for FAA-PMA/STC wing tips including Quasar LED landing/taxi lights and optimized to accept LED nav/strobe lights. Must purchase as a LH and RH kit. See page 212.
 Add "LED" suffix for FAA-PMA/STC wing tips optimized to accept LED nav/strobe lights.

A182J,K,L,N, F182P,Q, FR182, R182, TR182
S/N A182-0001 thru A182-0148
F18200001 thru F18200169
FR18200001 thru FR18200070
R18200001 thru R18202041

Description	Idx	Part Number
Cap, Rudder Top	K	GF0731606-04 [7K] SA-0731606-9 [7S]
Cap, Vertical Fin No Beacon Base	J	GF0731606-03 [5K] SA-0731606-10 [4S]
Cap, Vertical Fin Small Beacon Base	J	K1231064 [6K]
Cap, Vertical Fin 2 1/4" Beacon Base	J	SA-1231064-1 [7S]
Fairing, Brake Cover, LH	G	SA-0741641-15 [4S]
Fairing, Brake Cover, RH	G	SA-0741641-14 [4S]
Fairing Land. Gear Strut LH	F	SA-0741052-201 [4S]
Fairing Land. Gear Strut RH	F	SA-0741052-200 [4S]
Fairing, Main Wheel, LH (Wheel Pant)	B	GF0541223-01 [4K] K0741046-203 [10K] SA-0541223-17 [4S]
Fairing, Main Wheel, RH (Wheel Pant)	B	GF0541223-02 [4K] K0741046-202 [10K] SA-0541223-16 [4S]
Fairing, Main Wheel, RH (Wheel Pant)	B	20-40N-80A [4T] GF0543079-00 [4K] K0743625-14 [10K] SA-0543079-3 [4S]
Fairing, Stinger (Tailcone)	N	K1212010-19 [K] SA-1212010-15 [7S] 118-4-17 [8A] 182-LFS [T] K0723612-3 [7T] SA-0720702-9 [8S] SA-0723612-3 [4S]
Fairing, Strut To Fuslg, LH	E	118-4-16 [8A] 182-RFS [T] K0723612-4 [7T] SA-0720702-10 [8S] SA-0723612-4 [4S]
Fairing, Strut To Fuslg, RH	E	118-4-16 [8A] 182-RFS [T] K0723612-4 [7T] SA-0720702-10 [8S] SA-0723612-4 [4S]

Eligibility continues in next column **Eligibility continues in next column** **Eligibility continues on next page**

Manufacturer/Material: [A] Aircraft Development/Fiberglass, [K] Knots 2U/Fiberglass, [S] Stene Aviation/Fiberglass, [T] Texas AeroPlastics/ABS Plastic Parts

Exterior Plastic/Fiberglass Trim and Fairings

Cessna 180, 182, 185 and 188 Series Aircraft

Continued from previous page		
Description	Idx	Part Number
Fairing, Strut To Wing, LH	D	118-4-9 8 A
		180-LWS 1 T
		K0723605-3 7 T
		SA-0720702-1 8 S
		SA-0723605-3 7 P S
Fairing, Strut To Wing, RH	D	118-4-8 8 A
		180-RWS 1 T
		K0723605-4 7 T
		SA-0720702-2 8 S
		SA-0723605-4 7 P S
Tip, Elevator, LH	M	GF1234608-01 6 K SA-1234608-3 7 S
Tip, Elevator, RH	M	GF1234608-02 6 K SA-1234608-4 7 S
Tip, Horiz. Stab., LH or RH	P	GF1232604-1 2 K GF1232604-2 3 K
Tip, Wing, LH	A	20-52L-80A 7 T GF0723200-5 8 K SA-0723200-5 7 12 13 S
Tip, Wing, RH	A	20-52R-80A 7 T GF0723200-6 8 K SA-0723200-6 7 12 13 S
Tip, Wing, Sym., LH or RH	A	K0723615-200 1 K
Wing Pos., Light Shield, LH	A	219-4-7 8 11 A
Wing Pos., Light Shield, RH	A	219-4-8 8 11 A
1 S/N A182-0001 thru A182-0116 only 2 S/N 18200001 thru 18201313 only 3 S/Ns 18201314 and on and FR18200046 thru FR18200070 4 Models F182P,Q only 5 Models F182P,Q, FR182 and R182 only 6 Models F182P,Q, FR182, R182 and TR182 only 7 Models F182P,Q, R182 and TR182 only 8 Models R182 and TR182 only 9 Also available as a FAA-PMA/STC approved split Fairing for easy installation and removal; add an "SP" suffix to the P/N. 10 Models A182K,L,N only 11 For a wing with STOL leading edge radius 12 For kits including LH and RH see page 212. 13 Add "LL" suffix for FAA-PMA/STC wing tips including Quasar LED landing/taxi lights and optimized to accept LED nav/strobe lights. Must purchase as a LH and RH kit. See page 212. Add "LED" suffix for FAA-PMA/STC wing tips optimized to accept LED nav/strobe lights.		
185, 185A, B, C, D, E, A185E, F S/N 185-0001 thru 18504448		
Description	Idx	Part Number
Cap, Vertical Fin No Beacon Base	J	SA-0742025-1 5
Cap, Vertical Fin 2 1/4" Beacon Base	J	SA-0731019-2 5
Cap, Vertical Fin 3 1/2" Beacon Base	J	SA-0731015-1 5
Fairing, Brake Cover, LH	G	SA-0741059-1 5
Fairing, Brake Cover, RH	G	SA-0741059-2 5
Fairing, Main Wheel, LH (Wheel Pant)	B	SA-0741070-1 8 S
Fairing, Main Wheel, RH (Wheel Pant)	B	SA-0741070-2 8 S
Fairing, Stinger (Tailcone)	N	SA-0712400-9 5
Fairing, Strut To Fuslg, LH	E	180-LFS-T 5 T
		SA-0723605-1 1 S
		SA-1227002-3SP 9 S
Fairing, Strut To Fuslg, RH	E	180-RFS-T 5 T
		SA-0723605-2 1 S
		SA-1227002-2SP 9 S
Fairing, Strut To Wing, LH	D	180-LWS 1 T
		SA-0723605-3 1 S
		SA-1227002-11SP 9 S
Fairing, Strut To Wing, RH	D	180-RWS 1 T
		SA-0723605-4 1 S
		SA-1227002-10SP 9 S
Fairing, Tailwheel Strg Cbl LH	O	SA-0712309-9 5
Fairing, Tailwheel Strg Cbl RH	O	SA-0712309-10 5
Tip, Horiz. Stab., LH or RH	P	SA-0732613-3 5
Tip, Wing, LH	A	20-51L-80A 6 T
		20-52L-80A 8 T
		GF0723200-5 K
		SA-0723200-5 8 12 13 S

Continued from previous column		
Description	Idx	Part Number
Tip, Wing, RH	A	20-51R-80A 6 T
		20-52R-80A 8 T
		GF0723200-6 K
		SA-0723200-6 8 12 13 S
Tip, Wing, Conical, LH	A	GF0523565-29791 7 K SA-0523565-29 7 12 13 S
Tip, Wing, Conical, RH	A	GF0523565-30791 7 K SA-0523565-30 7 12 13 S
Tip, Wing, Hoerner Style	A	11004 (set of two) 3 K
Tip, Wing, Sym., LH or RH	A	K0723615-200 3 K SA-0723615-200 3 S
Wing Pos., Light Shield, LH	A	219-4-5 4 10 A 219-4-7 8 11 A
Wing Pos., Light Shield, RH	A	219-4-6 4 10 A 219-4-8 8 11 A
1 S/N 185-0001 thru 185-0237 only 2 S/N 185-0001 thru 185-0967 only 3 S/N 185-0001 thru 185-1149 only 4 S/N 185-0001 thru 185-1599 only 5 S/N 185-0001 thru 18502310 only 6 S/N 185-0968 thru 18502090 only 7 S/N 18501833 thru 18502090 only 8 S/N 18502091 and on 9 FAA-PMA/STC approved split Fairing for easy installation and removal. 10 For a wing with a standard leading edge radius 11 For a wing with STOL leading edge radius 12 For kits including LH and RH see page 212. 13 Add "LL" suffix for FAA-PMA/STC wing tips including Quasar LED landing/taxi lights and optimized to accept LED nav/strobe lights. Must purchase as a LH and RH kit. See page 212. Add "LED" suffix for FAA-PMA/STC wing tips optimized to accept LED nav/strobe lights.		
188, 188A, B, A188, A188A, B, T188C S/N 188-0001 thru 18803973		
Description	Idx	Part Number
Cover, Fuel Strainer	Q	SA-1616036-1 1 S
		SA-1621410-7 2 S
Fairing, Gear Leg, LH	F	SA-1613420-11 4 S
		SA-1613220-23 3 S
		SA-1621410-8 2 S
Fairing, Gear Leg, RH	F	SA-1613420-12 4 S
		SA-1613220-24 3 S
		SA-1613220-24 3 S
Fairing, Stinger (Tailcone)	N	SA-0712400-9 5
Fairing, Strut Upper, LH	E	SA-1613220-11 4 S
		SA-1620024-1 4 S
Fairing, Strut Upper, RH	E	SA-1613220-12 4 S
		SA-1620024-2 4 S
Fairing, TE Wing Root, LH	R	SA-1600011-1 1 S
Fairing, TE Wing Root, RH	R	SA-1600011-2 1 S
Tip, Wing, LH	A	20-52L-80A T
		SA-0723200-5 5 6 S
Tip, Wing, RH	A	20-52R-80A T
		SA-0723200-6 5 6 S
1 Model T188C not eligible 2 Models 188B and A188B only 3 Models 188A, B and A188A, B only 4 Models 188, 188A, A188, A188A only 5 For kits including LH and RH see page 212. 6 Add "LL" suffix for FAA-PMA/STC wing tips including Quasar LED landing/taxi lights and optimized to accept LED nav/strobe lights. Must purchase as a LH and RH kit. See page 212. Add "LED" suffix for FAA-PMA/STC wing tips optimized to accept LED nav/strobe lights.		

Eligibility continues in next column

Manufacturer/Material: **A** Aircraft Development/Fiberglass, **K** Knots 2U/Fiberglass, **S** Stene Aviation/Fiberglass, **T** Texas Aeroplastics/ABS Plastic Parts

Cessna 180, 182, 185 and 188 Series Aircraft

Kits available for 180, 182, 185 and 188 aircraft

Kit P/N	Kit Description	Part Number	Item Description
118-22	Strut Fairing Kit, Fiberglass	118-4-11	Fairing, Strut To Fuselage, LH
		118-4-10	Fairing, Strut To Fuselage, RH
		118-4-9	Fairing, Strut To Wing, LH
		118-4-8	Fairing, Strut To Wing, RH
118-32	Strut Fairing Kit, Fiberglass	118-4-7	Fairing, Strut To Fuselage, LH
		118-4-6	Fairing, Strut To Fuselage, RH
		118-4-15	Fairing, Strut To Wing, LH
		118-4-14	Fairing, Strut To Wing, RH
118-4-42	Strut Fairing Kit, Fiberglass	118-4-17	Fairing, Strut To Fuselage, LH
		118-4-16	Fairing, Strut To Fuselage, RH
		118-4-9	Fairing, Strut To Wing, LH
		118-4-8	Fairing, Strut To Wing, RH
20-51-80A	Conical Wing Tip Kit	20-51L-80A	Tip, Wing, LH
		20-51R-80A	Tip, Wing, RH
20-52-80A	Conical Wing Tip Kit	20-52L-80A	Tip, Wing, LH
		20-52R-80A	Tip, Wing, RH
30-04-80A	Wing Strut Fairing Kit	180-LFS-T	Fairing, Strut To Fuselage, LH
		180-RFS-T	Fairing, Strut To Fuselage, RH
		180-LWS	Fairing, Strut to Wing, LH
		180-RWS	Fairing, Strut to Wing, RH
31-01-80A	Wing Strut Fairing Kit	182-LFS	Fairing, Strut To Fuselage, LH
		182-RFS	Fairing, Strut To Fuselage, RH
		180-LWS	Fairing, Strut to Wing, LH
		180-RWS	Fairing, Strut to Wing, RH
31-03-80A	Landing Gear Fairing Kit	31-03-LGF	Fairing, Land. Gear Strut, LH
		31-03-RGF	Fairing, Land. Gear Strut, RH
31-07-80A	Brake Cover Fairing Kit	31-07-LBC	Fairing, Brake Cover, LH
		31-07-RBC	Fairing, Brake Cover, RH
31-08-80A	Brake Cover Fairing Kit	31-08-LBC	Fairing, Brake Cover, LH
		31-08-RBC	Fairing, Brake Cover, RH
KPS01	Split Strut Fairing Kit, Plastic	K0723612-3	Fairing, Strut to Fuselage, LH
		K0723612-4	Fairing, Strut to Fuselage, RH
		K0723605-3	Fairing, Strut to Wing, LH
		K0723605-4	Fairing, Strut to Wing, RH
KPS02	Split Strut Fairing Kit, Plastic	K0723605-1	Fairing, Strut to Fuselage, LH
		K0723605-2	Fairing, Strut to Fuselage, RH
		K0723605-3	Fairing, Strut to Wing, LH
		K0723605-4	Fairing, Strut to Wing, RH
SA-0523565-2930	Wing Tips 1 2	SA-0523565-29	Tip, Wing, Conical, LH
		SA-0523565-30	Tip, Wing, Conical, RH
SA-0720702-1234	Strut Fairing Kit	SA-0720702-9	Fairing, Strut to Fuselage, LH
		SA-0720702-10	Fairing, Strut to Fuselage, RH
		SA-0720702-1	Fairing, Strut to Wing, LH
		SA-0720702-2	Fairing, Strut to Wing, RH
SA-0723200-56	Wing Tips 1 2	SA-0723200-5	Tip, Wing, Conical, LH
		SA-0723200-6	Tip, Wing, Conical, RH
SA-0723605-1234	Strut Fairing Kit, Fiberglass For FAA-PMA/STC split Fairings add an "SP" suffix to the kit P/N.	SA-0723605-1	Fairing, Strut to Fuselage, LH
		SA-0723605-2	Fairing, Strut to Fuselage, RH
		SA-0723605-3	Fairing, Strut to Wing, LH
		SA-0723605-4	Fairing, Strut to Wing, RH
SA-0723612-3434	Strut Fairing Kit, Fiberglass For FAA-PMA/STC split Fairings add an "SP" suffix to the kit P/N.	SA-0723612-3	Fairing, Strut to Fuselage, LH
		SA-0723612-4	Fairing, Strut to Fuselage, RH
		SA-0723605-3	Fairing, Strut to Wing, LH
		SA-0723605-4	Fairing, Strut to Wing, RH
SA-1227002-1145SP	Split Strut Fairing Kit, Fiberglass	SA-1227002-3SP	Fairing, Strut to Fuselage, LH
		SA-1227002-2SP	Fairing, Strut to Fuselage, RH
		SA-1227002-11SP	Fairing, Strut to Wing, LH
		SA-1227002-10SP	Fairing, Strut to Wing, RH

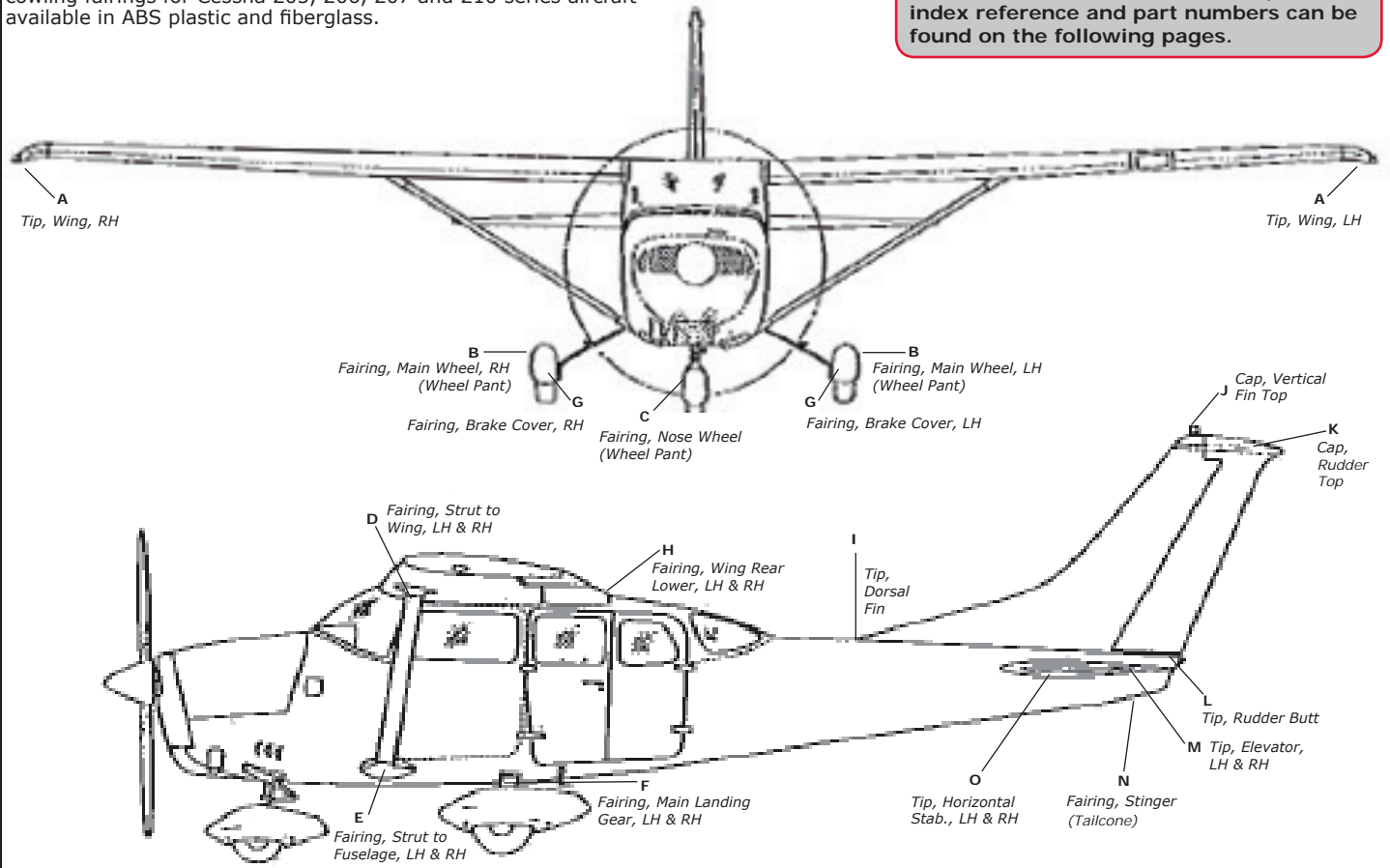
1 Add "LL" suffix for FAA-PMA/STC wing tips including Quasar LED landing/taxi lights and optimized to accept LED nav/strobe lights. Optional installation kit including all hardware required for installation of Quasar LED lighted wing tips is available. Kits include shielded wire, all connectors, switches and breaker. 14v installation kit USE P/N INSTALL14V. 28v installation kit USE P/N INSTALL28V.

2 Add "LED" suffix for FAA-PMA/STC wing tips optimized to accept LED nav/strobe lights.

Exterior Plastic and Fiberglass Trim and Fairings Cessna 205, 206, 207 and 210 Series Aircraft

Improve the appearance and performance of your aircraft!
Strut and landing gear fairings, tail surface fairings, wing tips, and cowling fairings for Cessna 205, 206, 207 and 210 series aircraft available in ABS plastic and fiberglass.

Eligibility tables for Cessna 205, 206, 207 and 210 aircraft with item descriptions, index reference and part numbers can be found on the following pages.



210-5(205), 210-5A(205A) S/N 205-0001 thru 205-0577		
Description	Idx	Part Number
Cap, Rudder Top	K	GF0731606-04 K SA-0731606-10 S SA-1231001-2 S
Cap, Vertical Fin	J	GF0731606-03 K
Fairing, Stinger (Tailcone)	N	SA-1212010-14 S
Fairing, Strut To Fuslg, LH	E	SA-1227401-5 1 S
Fairing, Strut To Fuslg, RH	E	SA-1227401-4 1 S
Fairing, Strut To Wing, LH	D	118-4-19 A SA-1227002-11 1 S
Fairing, Strut To Wing, RH	D	118-4-18 A SA-1227002-10 1 S
Tip, Horiz. Stab., LH or RH	O	SA-0732613-1 S
Tip, Wing, LH	A	SA-1223000-7 S
Tip, Wing, RH	A	SA-1223000-8 S
Wing Pos., Light Shield, LH	A	219-4-5 2 A
Wing Pos., Light Shield, RH	A	219-4-6 2 A
1 Also available as a FAA-PMA/STC approved split Fairing for easy installation and removal; add an "SP" suffix to the P/N. 2 For a wing with a standard leading edge radius		
Description	Idx	Part Number
Cap, Rudder Top	K	GF0731606-04 3 K GF0731606-01 3 K SA-0731606-6 3 S SA-1231001-2 1 S SA-1233736-1 1 S
Cap, Vertical Fin No Beacon Base	J	K0731606-1 6 K

Continued from previous column		
Description	Idx	Part Number
Cap, Vertical Fin Small Beacon Base	J	K0731606-3 6 K
Cap, Vertical Fin 2 1/4" Beacon Base	J	SA-0731606-3 6 S
Fairing, Main Wheel, LH (Wheel Pant)	B	K0741046-203 8 K
Fairing, Main Wheel, RH (Wheel Pant)	B	K0741046-202 8 K
Fairing, Nose Wheel	C	K0743625-14 10 K
Fairing, Strut To Fuslg, LH	E	118-4-21 A SA-1227402-3 12 S
Fairing, Strut To Fuslg, RH	E	118-4-20 A
Fairing, Strut To Wing, LH	D	118-4-19 A SA-1227002-11 12 S
Fairing, Strut To Wing, RH	D	118-4-18 A SA-1227002-10 12 S
Fairing, Stinger (Tailcone)	N	GF1212010-00 K SA-1212010-14 S
Tip, Elevator, LH	M	GF1234608-01 2 K K1234640-1 7 K SA-1234608-3 3 S SA-1234640-1 7 S
Tip, Elevator, RH	M	GF1234608-02 2 K K1234640-2 7 K SA-1234608-4 3 S SA-1234640-2 7 S
Tip, Horiz. Stab., LH or RH	O	GF1232604-1 4 K SA-1232604-1 3 S SA-1232012-1 11 S SA-1232616-1 9 S
Tip, Wing, LH	A	SA-1223000-7 S
Tip, Wing, RH	A	SA-1223000-8 S
Wing Pos., Light Shield, LH	A	219-4-5 14 A

Continued from previous column		
Description	Idx	Part Number
Wing Pos., Light Shield, RH	A	219-4-6 14 A
1 Models 206, U206 only 2 Models 206, U206, U206A,B only 3 Models 206, U206, U206A,B,C,D only 4 Models 206, TU206B, U206, U206A, only 5 Models TU206A,B, U206A,B only 6 Models TU206B,C,D, U206B,C,D only 7 Models TU206C,D, U206C,D only 8 Models U206B,C,D only 9 Models U206C only 10 S/N U206-0657 thru U206-1389 only 11 S/N U206-1161 thru U206-1444 only 12 Also available as a FAA-PMA/STC approved split Fairing for easy installation and removal; add an "SP" suffix to the P/N. 13 For aircraft with factory float kit option only 14 For a wing with a standard leading edge radius		
P206, P206A,B,C,D,E, TP206A,B,C,D,E S/N P206-0002 thru P206-0647		
Description	Idx	Part Number
Cap, Rudder Top	K	GF0731606-04 1 K GF0731606-01 5 K SA-0731606-6 5 S SA-1231001-2 1 S
Cap, Vertical Fin No Beacon Base	J	K0731606-1 5 K
Cap, Vertical Fin Small Beacon Base	J	K0731606-3 5 K
Cap, Vertical Fin 2 1/4" Beacon Base	J	SA-0731606-3 5 S
Fairing, Main Wheel, LH (Wheel Pant)	B	K0741046-203 5 K
Fairing, Main Wheel, RH (Wheel Pant)	B	K0741046-202 5 K
Fairing, Nose Wheel	C	K0743625-14 4 K
Fairing, Strut To Fuslg, LH	E	118-4-21 S SA-1227402-3 9 S

Eligibility continues in next column Eligibility continues in next column Eligibility continues on next page

Manufacturer/Material: **A** Aircraft Development/Fiberglass, **K** Knots 2U/Fiberglass, **S** Stene Aviation/Fiberglass, **1** Texas Aeroplastics/ABS Plastic Parts

Cessna 205, 206, 207 and 210 Series Aircraft

Continued from previous page

Description	Idx	Part Number
Fairing, Strut To Fuslg, RH	E	118-4-20 SA-1227402-4 9 S
Fairing, Strut To Wing, LH	D	118-4-19 SA-1227002-11 9 S
Fairing, Strut To Wing, RH	D	118-4-18 SA-1227002-10 9 S
Fairing, Stinger (Tailcone)	N	GF1212010-00 K SA-1212010-14 S
Tip, Elevator, LH	M	GF1234608-01 2 K K1234640-1 7 K SA-1234608-3 3 S SA-1234640-1 7 S
Tip, Elevator, RH	M	GF1234608-02 2 K K1234640-2 7 K SA-1234608-4 2 S SA-1234640-2 7 S
Tip, Horiz. Stab., LH or RH	O	GF1232604-1 2 K SA-1232604-1 3 S SA-1232012-1 8 S SA-1232616-1 6 S
Tip, Wing, LH	A	20-51L-80A 8 T SA-1223000-7 S
Tip, Wing, RH	A	20-51R-80A 8 T SA-1223000-8 S
Wing Pos., Light Shield, LH	A	219-4-5 10 A
Wing Pos., Light Shield, RH	A	219-4-6 10 A

1 Models P206, P206A only
2 Models P206, P206A,B only
3 Models P206A,B, TP206A,B only
4 Models P206B,C,D only
5 Models P206B,C,D,E only
6 Models P206C,D only
7 Models P206C,D,E, TP206C,D,E only
8 Models P206D,E, TP206D,E only
9 Also available as a FAA-PMA/STC approved split Fairing for easy installation and removal; add an "SP" suffix to the P/N.
10 For a wing with a standard leading edge radius

TU206E,F,G, U206E,F,G
S/N U20601445 thru U20607020

Description	Idx	Part Number
Cap, Rudder Top	K	GF0731606-04 5 K GF0731606-01 9 K SA-0731606-6 8 S SA-0731606-9 17 S SA-1233736-1 10 S
Cap, Vertical Fin No Beacon Base	J	K0731606-1 9 K
Cap, Vertical Fin Small Beacon Base	J	K0731606-3 9 K K1231064 17 K
Cap, Vertical Fin 2 1/4" Beacon Base	J	SA-0731606-3 8 S SA-1231064-1 17 S
Cap, Vertical Fin 2 1/2" Beacon Base	J	SA-1231059-1 13 S
Fairing, Brake, LH	G	SA-1241113-1 6 S SA-1241232-1 6 S
Fairing, Brake, RH	G	SA-1241113-2 6 S SA-1241232-2 6 S
Fairing, Main Gear, LH	B	GF0541223-01 16 K SA-0541203-1 10 S SA-0541223-17 10 S SA-1241229-1 3 S
Fairing, Main Gear, RH	B	GF0541223-02 16 K SA-0541203-2 10 S SA-0541223-16 16 S SA-1241229-2 3 S
Fairing, Main Wheel, LH (Wheel Pant)	B	K0741046-203 7 K
Fairing, Main Wheel, RH (Wheel Pant)	B	K0741046-202 7 K
Fairing, Nose Wheel	C	20-40N-80A 12 T GF0543079-00 16 K SA-0543065-1 10 S SA-0543079-3 16 S SA-1234045-1 3 S
Fairing, Strut To Fuslg, LH	E	118-4-21 4 A 118-4-25 14 A SA-1227010-1 3 S SA-1227402-3 1 18 S

Continued from previous column

Description	Idx	Part Number
Fairing, Strut To Fuslg, RH	E	118-4-20 4 A 118-4-24 14 A SA-1227010-2 3 S SA-1227402-4 1 18 S
Fairing, Strut To Wing, LH	D	118-4-19 4 A 118-4-35 13 A SA-1227002-11 1 18 S SA-1227005-5 13 S
Fairing, Strut To Wing, RH	D	118-4-18 4 A 118-4-34 13 A SA-1227002-10 1 18 S SA-1227005-6 13 S
Fairing, Stinger (Tailcone)	N	GF1212010-00 K SA-1212010-14 S
Tip, Elevator, LH	M	K1234640-1 K SA-1234640-1 S
Tip, Elevator, RH	M	K1234640-2 K SA-1234640-2 S
Tip, Horiz. Stab., LH or RH	O	GF1232012-1 3 K SA-1232012-1 S
Tip, Wing, LH	A	20-51L-80A 4 T 20-52L-80A 2 T GF0723200-5 3 K SA-0723200-5 3 12 23 S
Tip, Wing, RH	A	20-51R-80A 4 T 20-52R-80A 2 T GF0723200-6 3 K SA-0723200-6 3 12 23 S
Tip, Wing, Conical, LH	A	GF0523565-29791 11 K SA-0523565-29 11 23 23 S
Tip, Wing, Conical, RH	A	GF0523565-30791 11 K SA-0523565-30 11 23 23 S
Wing Pos., Light Shield, LH	A	219-4-5 4 20 A 219-4-7 3 21 A
Wing Pos., Light Shield, RH	A	219-4-6 4 20 A 219-4-8 3 21 A

1 Models TU206E,U206E only
2 Models TU206F,U206F only
3 Models TU206F,G,U206F,G only
4 Model U206E only
5 Models U206E,F,G only
6 Model U206G only
7 S/N U20601445 thru U20601587 only
8 S/N U20601445 thru U20601905 only
9 S/N U20601445 thru U20603020 only
10 S/N U20601588 thru U20602199 only
11 S/N U20601605 thru U20601700 only
12 S/N U20601701 thru U20603521 only
13 S/N U20601906 thru U20603020 only
14 S/N U20602200 and On
15 S/N U20602576 and On
16 S/N U20602580 and On
17 S/N U20603021 and On
18 Also available as a FAA-PMA/STC approved split Fairing for easy installation and removal; add an "SP" suffix to the P/N.
19 For aircraft with factory float kit option only
20 For a wing with a standard leading edge radius
21 For a wing with STOL leading edge radius
22 For kits including LH and RH see page 216.
23 Add "LL" suffix for FAA-PMA/STC wing tips including Quasar LED landing/taxi lights and optimized to accept LED nav/strobe lights. Must purchase as a LH and RH kit. See page 216.
Add "LED" suffix for FAA-PMA/STC wing tips optimized to accept LED nav/strobe lights.

206H, T206H
S/N 20608001 thru 20699999, T20608001 thru T20699999

Description	Idx	Part Number
Cap, Rudder Top	K	SA-0731606-9 S
Cap, Vertical Fin 2 1/4" Beacon Base	J	SA-0731606-11 S
Cap, Vertical Fin 2 1/2" Beacon Base	J	K1231064 K
Fairing, Main Gear, LH	B	GF0541223-01 2 K SA-0541223-17 S SA-1241229-1 S
Fairing, Main Gear, RH	B	GF0541223-02 2 K SA-0541223-16 S SA-1241229-2 S
Fairing, Nose Wheel	C	SA-0543079-3 S SA-1243045-12 6 S
Fairing, Strut To Fuslg, LH	E	SA-1227010-1 S
Fairing, Strut To Fuslg, RH	E	SA-1227010-2 S
Fairing, Strut To Wing, LH	D	118-4-35 A SA-1227011-5 S
Fairing, Strut To Wing, RH	D	118-4-34 A SA-1227011-6 S
Tip, Elevator, LH	M	K1234640-1 K SA-1234640-1 9 S

Eligibility continues on next page

207, 207A, T207, T207A
S/N 20700001 thru 20700788

Description	Idx	Part Number
Cap, Rudder Top	K	GF0731606-04 8 K GF0731606-01 4 K SA-0731606-6 4 S SA-0731606-9 8 S
Cap, Vertical Fin No Beacon Base	J	K0731606-1 4 K
Cap, Vertical Fin Small Beacon Base	J	K0731606-3 4 K K1231064 8 K
Cap, Vertical Fin 2 1/4" Beacon Base	J	SA-0731606-3 2 S SA-1231064-1 8 S
Cap, Vertical Fin 2 1/2" Beacon Base	J	SA-1231059-1 6 S
Fairing, Brake, LH	G	SA-1241228-1 8 S
Fairing, Brake, RH	G	SA-1241228-2 8 S
Fairing, Gear Leg, LH	F	SA-1241217-1 S
Fairing, Gear Leg, RH	F	SA-1241217-2 S
Fairing, Main Gear, LH	B	GF0541223-01 8 K
Fairing, Main Gear, RH	B	GF0541223-02 8 K GF0543079-00 8 K
Fairing, Nose Wheel	C	K0743625-14 5 K SA-0543079-3 5 S
Fairing, Stinger (Tailcone)	N	GF1212010-00 K SA-1212010-14 S
Fairing, Strut To Fuslg, LH	E	118-4-25 A SA-1227010-1 S
Fairing, Strut To Fuslg, RH	E	118-4-24 A SA-1227010-2 S
Fairing, Strut To Wing, LH	D	118-4-35 A SA-1227011-5 S
Fairing, Strut To Wing, RH	D	118-4-34 A SA-1227011-6 S
Tip, Elevator, LH	M	K1234640-1 K SA-1234640-1 9 S

Eligibility continues on next page

Exterior Plastic/Fiberglass Trim and Fairings

Cessna 205, 206, 207, 210, 310, 336 and 337 Series Aircraft

Continued from previous page		
Description	Idx	Part Number
Tip, Elevator, RH	M	K1234640-2 SA-1234640-2
Tip, Horiz. Stab., LH or RH	O	GF1232012-1 SA-1232012-1
Tip, Wing, LH	A	20-51L-80A SA-1223000-7 SA-0523565-29
Tip, Wing, RH	A	20-51R-80A SA-1223000-8 SA-0523565-30
Tip, Wing, Conical, LH	A	GF0523565-29791
Tip, Wing, Conical, RH	A	GF0523565-30791
Wing Pos., Light Shield, LH	A	219-4-5
Wing Pos., Light Shield, RH	A	219-4-6

1 S/N 20700001 thru 20700148 only
 2 S/N 20700001 thru 20700216 only
 3 S/N 20700001 thru 20700254 only
 4 S/N 20700001 thru 20700314 only
 5 S/N 20700001 thru 20700362 only
 6 S/N 20700217 thru 20700314 only
 7 S/N 20700192 and on
 8 S/N 20700315 and on
 9 S/N 20700363 and on
 10 For a wing with a standard leading edge radius
 11 For kits including LH and RH see page 216.
 12 Add "LL" suffix for FAA-PMA/STC wing tips including Quasar LED landing/taxi lights and optimized to accept LED nav/strobe lights. Must purchase as a LH and RH kit. See page 216.
 Add "LED" suffix for FAA-PMA/STC wing tips optimized to accept LED nav/strobe lights.

210, 210A, B, C, D, E, F S/N 57001 thru 21058818		
Description	Idx	Part Number
Cap, Rudder Top	K	GF0731606-04 SA-1231001-2
Cap, Vertical Fin	J	GF0731606-03
Fairing, Strut To Fuslg, LH	E	34-01-01-LFS 34-01-23-LFS SA-1227002-3 SA-1227401-3 SA-1227402-1 SA-1227402-3
Fairing, Strut To Fuslg, RH	E	34-01-01-RFS 34-01-23-RFS SA-1227002-2 SA-1227401-2 SA-1227402-2 SA-1227402-4
Fairing, Strut To Wing, LH	D	118-4-19 34-01-05-LWS SA-1227002-11 SA-1227002-5
Fairing, Strut To Wing, RH	D	118-4-18 34-01-05-RWS SA-1227002-10 SA-1227002-4
Fairing, Stinger (Tailcone)	N	SA-1212010-14
Tip, Elevator, LH	M	GF1234608-01 SA-1234608-3
Tip, Elevator, RH	M	GF1234608-02 SA-1234608-4
Tip, Horiz. Stab., LH or RH	O	SA-0732613-1 GF1232604-1 SA-1232604-1
Tip, Wing, Hoerner Style	A	11004 (set of two)
Tip, Wing, LH	A	SA-1223000-7
Tip, Wing, RH	A	SA-1223000-8

1 Models 210, 210A only
 2 Models 210, 210A,B,C only
 3 Models 210, 210A,B,C,D,E only
 4 Models 210B,C only
 5 Models 210D,E only
 6 Models 210D,E,F only
 7 Model 210F only

210G,H,J,K,L,M,N,R S/N 21058819 thru 21065009		
Description	Idx	Part Number
Cap, Rudder Top	K	GF0731606-04 GF0731606-01 SA-0731606-6 SA-0731606-9
Cap, Vertical Fin No Beacon Base	J	GF0731606-03 K0731606-1 SA-0731606-1 SA-0731606-10
Cap, Vertical Fin Small Beacon Base	J	K0731606-3 K1231064
Cap, Vertical Fin 2 1/4" Beacon Base	J	SA-0731606-3 SA-1231064-1
Cap, Vertical Fin 2 1/2" Beacon Base	J	SA-1231059-1
Fairing, Stinger (Tailcone)	N	GF1212010-00 SA-1212010-14
Tip, Elevator, LH	M	K1234640-1 SA-1234640-1
Tip, Elevator, RH	M	K1234640-2 SA-1234640-2
Tip, Horiz. Stab., LH or RH	O	SA-1232012-1 GF1232012-1
Tip, Wing, LH	A	SA-1221111-203
Tip, Wing, RH	A	SA-1221111-202

1 S/N 21058819 thru 21061573 only
 2 S/N 21058819 thru 21064897 only
 3 S/N 21059038 thru 21064897 only
 4 S/N 21059200 thru 21059719 only
 5 S/N 21059200 thru 21061039 only
 6 S/N 21059200 thru 21064897 only
 7 S/N 21059200 and On
 8 S/N 21059503 thru 21061573 only
 9 S/N 21059503 and On
 10 S/N 21061040 thru 21064135 only
 11 S/N 21061040 and On

P210N R S/N P21000001 thru P21000874		
Description	Idx	Part Number
Cap, Rudder Top	K	GF0731606-04
Cap, Vertical Fin No Beacon Base	J	GF0731606-03
Cap, Vertical Fin Small Beacon Base	J	K1231064
Fairing, Stinger (Tailcone)	N	GF1212010-00 SA-1212010-14
Tip, Elevator, LH	M	K1234640-1 SA-1234640-1
Tip, Elevator, RH	M	K1234640-2 SA-1234640-2
Tip, Wing, LH	A	SA-1221111-203
Tip, Wing, RH	A	SA-1221111-202

T210F,G,H,J,K,L,M,N,R S/N T210-0001 thru T210-0454		
Description	Idx	Part Number
Cap, Rudder Top	K	GF0731606-04 GF0731606-01 SA-1231001-2
Cap, Vertical Fin No Beacon Base	J	GF0731606-03 K0731606-1 K0731606-3
Cap, Vertical Fin Small Beacon Base	J	K1231064
Cap, Vertical Fin 2 1/2" Beacon Base	J	SA-1231059-1
Fairing, Stinger (Tailcone)	N	GF1212010-00 SA-1212010-14 GF1234608-01
Tip, Elevator, LH	M	K1234640-1 SA-1234608-3 SA-1234640-1
Tip, Elevator, RH	M	GF1234608-02 K1234640-2 SA-1234608-4 SA-1234640-2

Eligibility continues in next column

Continued from previous column		
Description	Idx	Part Number
Tip, Horiz. Stab., LH or RH	O	SA-1232012-1 GF1232012-1 GF1232604-1 SA-1232604-1
Tip, Wing, LH	A	SA-1221111-203
Tip, Wing, RH	A	SA-1221111-202

1 Models T210F only
 2 Models T210G,H,J,K,L only
 3 Models T210G,H,J,K,L,M,N only
 4 Models T210G,H,J,K,L,M,N,R only
 5 S/N T210-0382 thru T210-0454 only
 6 Models T210H,J,K,L,M,N only
 7 Models T210K,L,M,N only
 8 Models T210K,L,M,N,R only
 9 Models T210L,M,N,R only
 10 Model T210L only



310, 310P	
Description	Part Number
Cap, Nose, Left	GF0851119-1
Cap, Nose, Right	GF0851119-2
Fairing, Stinger (Tailcone)	GF0831372-1
Tip, Stabilizer, Left or Right	GF0832115-1



336, 337, 337A,B,C,D,E,F,G,H, F337E,F,G,H, FT337E,F, P337H, T337G	
Description	Part Number
Fairing, Strut To Fuslg, LH	33-06-LFS SA-1412251-3 SA-1521002-1
Fairing, Strut To Fuslg, RH	33-06-RFS SA-1412251-4 SA-1521002-2
Fairing, Strut To Wing, LH	33-06-LWS SA-1421001-5 SA-1521002-3
Fairing, Strut To Wing, RH	33-06-RWS SA-1421001-6 SA-1521002-4
Tip, Rudder	GF1431001-8 SA-1431001-8 GF1431001-11
Tip Vertical Fin, Lower	SA-1431001-11
Tip, Vertical Fin, Upper	GF1531003-9 SA-1531003-9
Tip, Vertical Fin, Upper LH	GF1431001-10
Tip, Wing, LH	SA-1520008-23
Tip, Wing, RH	SA-1520008-24

1 Models 337, 337A,B,C,D,E,F only
 2 Models 336, 337, 337A,B,C,D,E,F,G,H, F337E,F,G,H, FT337E,F,P337H,T337G only
 3 Models 337G,H, F337G, P337H,T337G only
 4 Models 336, 337, F337E,F,G,H, FT337E,F, P337H, T337G only
 5 Models 337E,F, F337E,F only
 6 Models 337G,H, T337H only

Exterior Plastic/Fiberglass Trim and Fairings

Cessna 205, 206, 207, 210, 340, 401 and 402 Series Aircraft



340, 401, 401A,B, 402, 402A,B,C

Description	Part Number
Tip, Stabilizer, Left or Right	GF0832115-1

Kits available for 205, 206, 207 and 210 aircraft

Kit P/N	Kit Description	Part Number	Item Description
118-4-62	Strut Fairing Kit, Fiberglass	118-4-25	Fairing, Strut To Fuselage, LH
		118-4-24	Fairing, Strut To Fuselage, RH
		118-4-35	Fairing, Strut To Wing, LH
		118-4-34	Fairing, Strut To Wing, RH
118-4-72	Strut Fairing Kit, Fiberglass	118-4-21	Fairing, Strut To Fuselage, LH
		118-4-20	Fairing, Strut To Fuselage, RH
		118-4-19	Fairing, Strut To Wing, LH
		118-4-18	Fairing, Strut To Wing, RH
20-51-80A	Conical Wing Tip Kit	20-51L-80A	Tip, Wing, LH
		20-51R-80A	Tip, Wing, RH
20-52-80A	Conical Wing Tip Kit	20-52L-80A	Tip, Wing, LH
		20-52R-80A	Tip, Wing, RH
SA-0523565-2930	Wing Tips 1 2	SA-0523565-29	Tip, Wing, Conical, LH
		SA-0523565-30	Tip, Wing, Conical, RH
SA-0723200-56	Wing Tips 1 2	SA-0723200-5	Tip, Wing, LH
		SA-0723200-6	Tip, Wing, RH
SA-1227010-1256	Strut Fairing Kit, Fiberglass	SA-1227010-1	Fairing, Strut to Fuselage, LH
		SA-1227010-2	Fairing, Strut to Fuselage, RH
		SA-1227005-5	Fairing, Strut to Wing, LH
		SA-1227005-6	Fairing, Strut to Wing, RH
SA-1227010-5612	Strut Fairing Kit, Fiberglass	SA-1227010-1	Fairing, Strut to Fuselage, LH
		SA-1227010-2	Fairing, Strut to Fuselage, RH
		SA-1227011-5	Fairing, Strut to Wing, LH
		SA-1227011-6	Fairing, Strut to Wing, RH
SA-1227401-2345	Strut Fairing Kit, Fiberglass For FAA-PMA/STC split Fairings add an "SP" suffix to the kit P/N.	SA-1227401-5	Fairing, Strut to Fuselage, LH
		SA-1227401-4	Fairing, Strut to Fuselage, RH
		SA-1227002-11	Fairing, Strut to Wing, LH
		SA-1227002-10	Fairing, Strut to Wing, RH
SA-1227402-3456	Strut Fairing Kit, Fiberglass For FAA-PMA/STC split Fairings add an "SP" suffix to the kit P/N.	SA-1227402-3	Fairing, Strut to Fuselage, LH
		SA-1227402-4	Fairing, Strut to Fuselage, RH
		SA-1227002-11	Fairing, Strut to Wing, LH
		SA-1227002-10	Fairing, Strut to Wing, RH

1 Add "LL" suffix for FAA-PMA/STC wing tips including Quasar LED landing/taxi lights and optimized to accept LED nav/strobe lights. Optional installation kit including all hardware required for installation of Quasar LED lighted wing tips is available. Kits include shielded wire, all connectors, switches and breaker. 14v installation kit USE P/N INSTALL14V. 28v installation kit USE P/N INSTALL28V.
2 Add "LED" suffix for FAA-PMA/STC wing tips optimized to accept LED nav/strobe lights.

Commander 112/114 Series Aircraft Fiberglass parts by Knots 2U

Vertical Fin Tip

112 S/N 126 thru 499
112B S/N 500 and Up
112TC S/N 13000 thru 13149
112TCA S/N 13150 and Up
114, 114A,B,
114TC S/N 14000-14624
P/N GF44300-3



Tailcone Stinger

114
P/N GF43367-210



Dorsal Fin Tip

112, 114 Series
P/N GF43650-501



Stabilator Tip

112,A,B,TC,TCA
114
P/N GF44324-400
Fits left or right.



Rudder Tip

112 S/N 126 thru 499
112B S/N 500 and Up
112TC S/N 13000 thru 13149
112TCA S/N 13150 and Up
114,A,B
P/N GF44233-11



Wing Tips

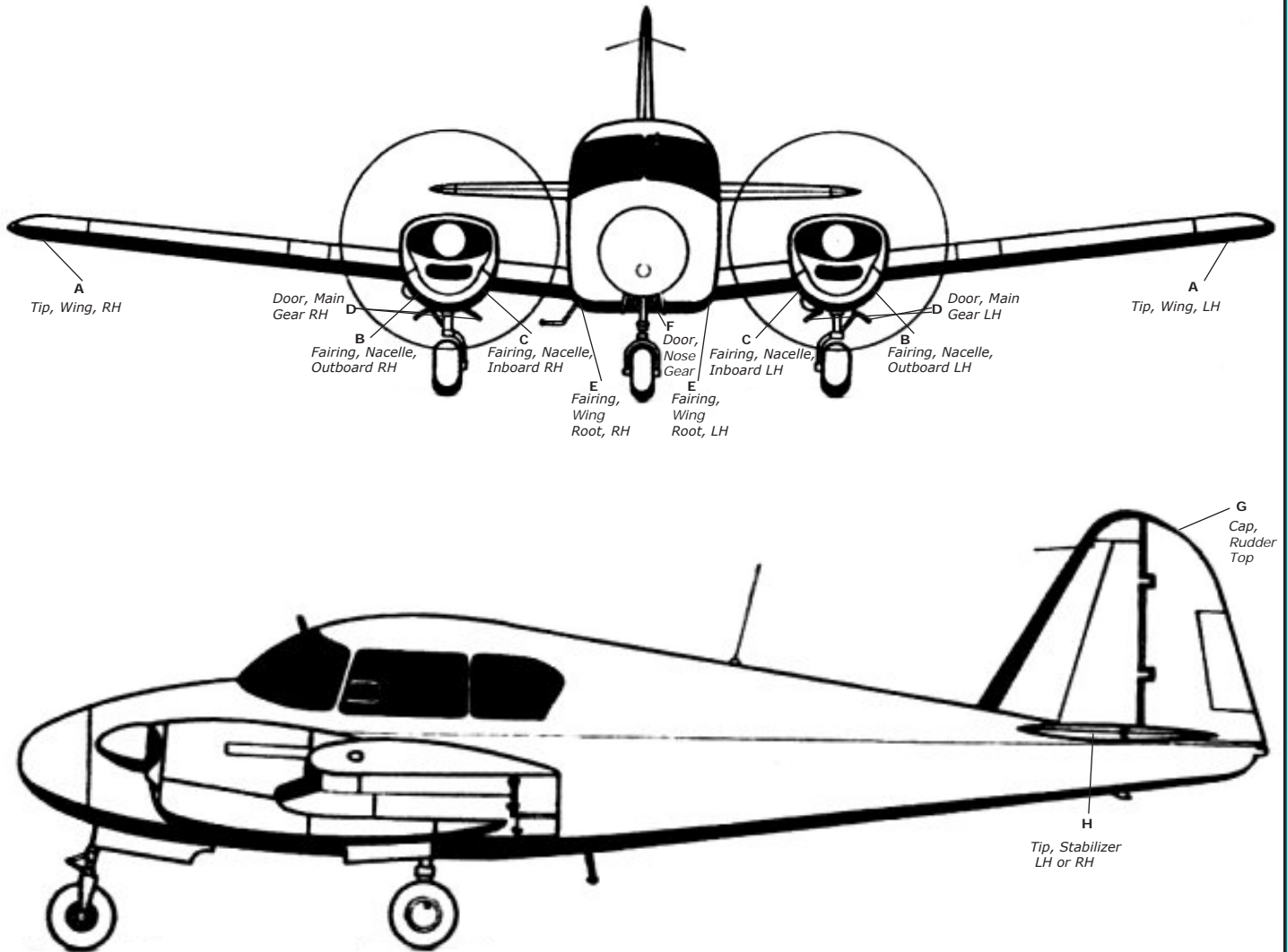
112, 112A, 114
P/N GF142242-17 (Left) P/N GF175009-3 (Left)
P/N GF142242-18 (Right) P/N GF175009-8 (Right)



Photo courtesy of Lauren Sobkowiak

Manufacturer/Material: **A** Aircraft Development/Fiberglass, **K** Knots 2U/Fiberglass, **S** Stene Aviation/Fiberglass, **T** Texas AeroPlastics/ABS Plastic Parts

Exterior Plastic and Fiberglass Trim and Fairings Piper PA-23, PA-30, PA-39 Series Aircraft



PA-23-235, PA-23-250

Description	Idx	Part Number	
CAP, Rudder Top	G	33448-000K	4 K
		K16792-00	1 K
Door, Main Gear, LH	D	GF31466-00	2 6 K
Door, Main Gear, RH	D	GF31466-01	2 6 K
Door, Nose Gear, LH	F	GF31515-00	2 6 K
Door, Nose Gear, RH	F	GF31515-01	2 6 K
Fairing, Nacelle, Inboard LH	C	GF32466-00	3 K
Fairing, Nacelle, Inboard RH	C	GF32466-01	3 K
Fairing, Nacelle, Outboard LH	B	GF32471-00	3 K
Fairing, Nacelle, Outboard RH	B	GF32471-01	3 K
Fairing, Wing Root, LH	E	GF32464-00	3 K
Fairing, Wing Root, RH	E	GF32464-01	3 K
Tip, Stabilator, Set, RH and LH	H	GF28466-00	K
Tip, Stabilizer, LH or RH	H	GF16109-00	K
Tip, Wing, LH	A	GF34267-00	5 K
Tip, Wing, RH	A	GF34267-01	5 K

1 Models PA-23-235, PA-23-250 S/N 27-1 thru 27-3070 and 27-4445 thru 27-7305134

2 S/N 27-2505 and On

3 S/N 27-3889 and On

4 S/N 27-7305135 and On

5 S/N 27-7654001 thru 27-7954087

6 Only sold in a set containing both LH and RH

PA-30, 39

Description	Idx	Part Number	
Cap, Rudder Top	G	GF23595-00	K
Tip, Stabilizer, LH or RH	H	GF25066	2 K
		GF21556-00	1 K

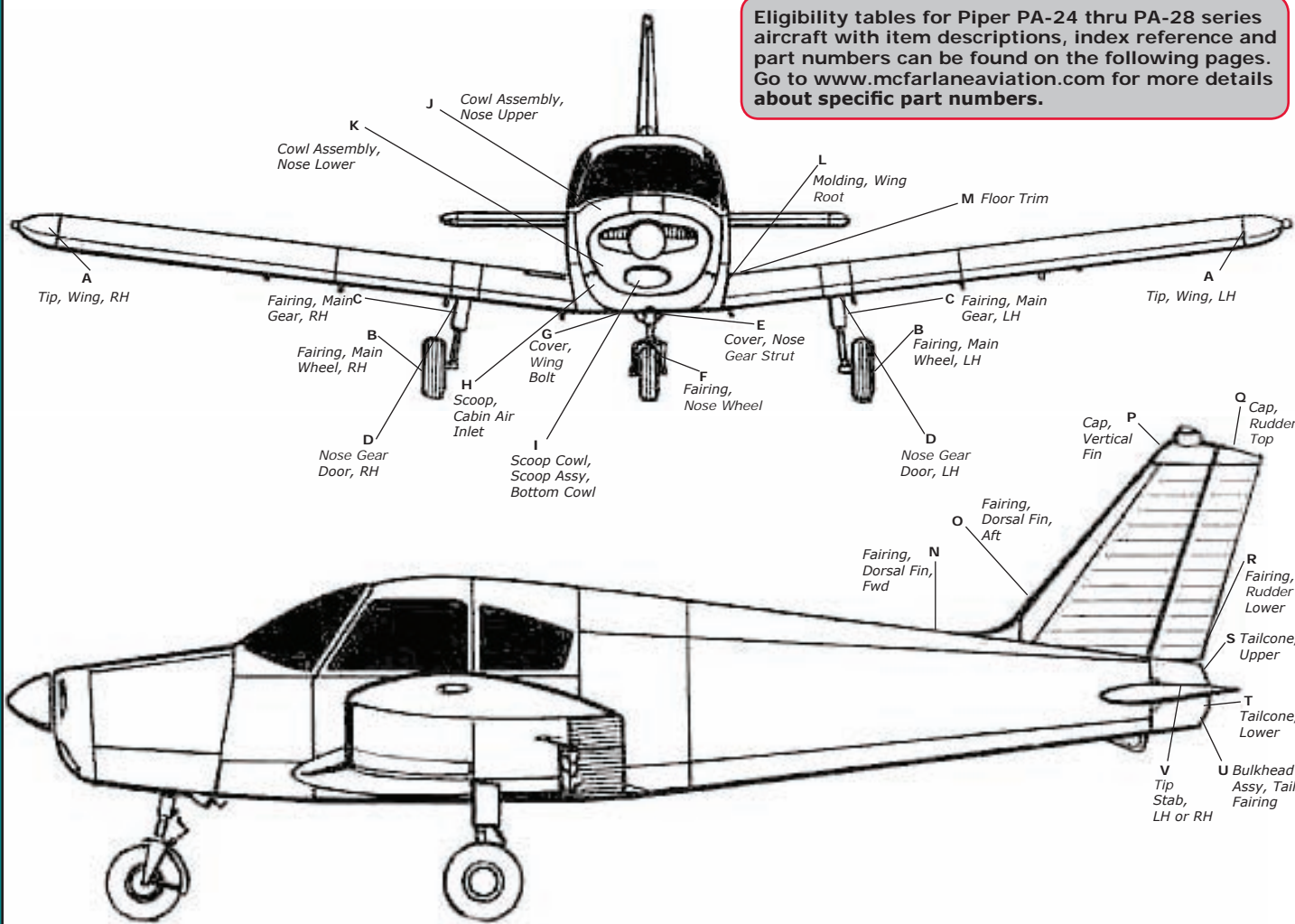
1 Model PA-30 S/N 30-2 thru 30-1744 except 30-1717

2 Model PA-30 S/N 30-1717, 30-1745 and On, PA-39

Manufacturer/Material: K Knots 2U/Fiberglass



Eligibility tables for Piper PA-24 thru PA-28 series aircraft with item descriptions, index reference and part numbers can be found on the following pages. Go to www.mcfarlaneaviation.com for more details about specific part numbers.



PA-24, PA-24-250, PA-24-260, PA-24-400		
Description	Idx	Part Number
Bulkhead Assy, Tail Fairing	U	GF20804-12 2 K GF21605-05 1 K GF21555-00 K K23451-00 10 K GF24846-00 9 K
Cap, Rudder Top, w/o slot	Q	GF21555-02 K GF24896-00 9 K
Cap, Rudder Top, with slot	Q	GF21557-00 K
Cap, Vertical Fin	P	GF21557-00 K GF24896-00 9 K
Scoop Assy, Bottom Cowl	I	GF21143 5 K
Scoop, Cabin Air Inlet	H	K21933-00 4 K
Scoop, Cowl	I	K21947-00 3 K GF16109-00 10 K
Tip, Stabilizer, LH or RH	V	GF21556-00 7 K GF28041-00 3 K
Tip, Wing, Hoerner Style (set)	A	11050-1 K
1 PA-24 S/N 24-1 thru 24-3336 only (except 24-3335) PA-24-250 S/N 24-105 thru 24-2843 PA-24-400 S/N All 2 PA-24 S/N 24-3337 thru 24-3687 only PA-24-250 S/N 24-2844 thru 24-3687 PA-24-260 S/N All 3 Model PA-24, PA-24-250 only 4 Model PA-24 and PA-24-250 S/N 24-1330 and on 5 Model PA-24 only, not for use on PA-24 aircraft with Cowl P/Ns 21950-07/-14, 22858-02, 22857-12, 24895-02/-17, or if carburetor air filter kit 754 285 is installed. 6 Model PA-24 S/N 24-1477 and On, PA-24-250 All, but can only be installed on PA-24-250, S/N 24-103 thru 24-1476 if carburetor air filter kit 754-285 has been installed. 7 Model PA-24, PA-24-250, PA-24-260 only (except 24-3335) 8 Model PA-24-250, PA-24-260 only 9 Model PA-24-260 only 10 Model PA-24-400 only		

PA-28-140		
Description	Idx	Part Number
Cap, Vertical Fin, Rotating Beacon	P	60-27 T 60-28 5 T GF63514-00 2 K GF65345-03 5 K
Cover, Wing Bolt, LH	G	60-63942-00-80A T GF63942-00 K
Cover, Wing Bolt, RH	G	60-63942-01-80A T GF63942-01 K
Fairing, Dorsal Fin, Aft	O	RD-0095-00 4 K 60-19 3 T 60-24 4 T GF63517-00 1 K RD-0096-00 4 K
Fairing, Dorsal Fin, Fwd	N	
Fairing, Main Gear, LH or RH	C	K63338-00 K
Fairing, Main Wheel LH	B	K65203-00 K
Fairing, Main Wheel RH	B	K65203-01 K
Fairing, Nose Wheel	F	K65331-00 K
Moulding, Wing Root	L	K65773-00 K
Tailcone, Assembly	ST	RD-0099-00 K
Tailcone, Lower	T	60-31 T RD-0098-00 K
Tailcone, Upper	S	60-30 T RD-0097-00 K
Tip, Stabilizer	V	60-23 T
Tip, Stabilizer, LH or RH	V	RD-0094-00 K
Tip, Wing, Hoerner Style (set)	A	11051-1 K
Tip, Wing, LH	A	RD-5010-L 6 K
Tip, Wing, RH	A	RD-5010-R 6 K
Tip, Wing, LH, 4" Nav Pad Only	A	GF62090-00 K
Tip, Wing, RH, 4" Nav Pad Only	A	GF62090-01 K
Tip, Wing, LH, 6" Nav Pad Std	A	GF78022-00 K
Tip, Wing, RH, 6" Nav Pad Std	A	GF78022-01 K

Continued from previous column		
Description	Idx	Part Number
Cap, Vertical Fin, Rotating Beacon	P	GF63514-00 K
Cover, Wing Bolt, LH	G	60-63942-00-80A T GF63942-00 K
Cover, Wing Bolt, RH	G	60-63942-01-80A T GF63942-01 K
Fairing, Dorsal Fin, Fwd	N	60-19 T GF63517-00 K
Fairing, Main Gear, LH or RH	C	K63338-00 K
Fairing, Main Wheel LH	B	K65203-00 K
Fairing, Main Wheel RH	B	K65203-01 K
Fairing, Nose Wheel	F	K65331-00 K
Moulding, Wing Root	L	K65773-00 K
Tailcone, Assembly	ST	RD-0099-00 K
Tailcone, Lower	T	RD-0098-00 K
Tailcone, Upper	S	RD-0097-00 K
Tip, Stabilator	V	60-23 T
Tip, Stabilizer, LH or RH	V	RD-0094-00 K
Tip, Wing, Hoerner Style (set)	A	11051-1 K
Tip, Wing, LH	A	RD-5010-L 1 K
Tip, Wing, RH	A	RD-5010-R 1 K
Tip, Wing, LH, 4" Nav Pad Only	A	GF62090-00 K
Tip, Wing, RH, 4" Nav Pad Only	A	GF62090-01 K
Tip, Wing, LH, 6" Nav Pad Std	A	GF78022-00 K
Tip, Wing, RH, 6" Nav Pad Std	A	GF78022-01 K
1 Kit P/N RMD-005010-PA contains both LH and RH.		

Eligibility continues in next column

Piper PA-24 thru PA-28 Series Aircraft

PA-28-151, PA-28-161			Continued from previous column			Continued from previous column		
Description	Idx	Part Number	Description	Idx	Part Number	Description	Idx	Part Number
Cap, Vertical Fin, Rot. Beacon	P	60-28 GF65345-03	Tip, Stabilator LH or RH	V	60-23 RD-0094-00	Fairing, Nose Wheel 6.00 X 6 w/Door	F	GF35944-15
Cover, Nose Gear Strut, Aft	E	GF35838-10 W/Door	Tip, Wing, Hoerner Style (set)	A	11051-1	Moulding, Wing Root	L	K65773-00
		GF35838-10 (No Door)	Tip, Wing, LH	A	RD-5010-L	Tailcone, Assembly	ST	RD-0099-00
Cover, Nose Gear Fairing, Aft	E	GF36568-03	Tip, Wing, LH, 4" Nav Pad Only	A	GF62090-00	Tailcone, Lower	T	60-31 RD-0098-00
Cover, Nose Gear Fairing, Fwd	E	GF36568-02	Tip, Wing, LH, 4" Nav Pad Std	A	GF78022-00	Tailcone, Upper	T	60-30 RD-0097-00
Cover, Nose Gear Strut Fairing Aft	E	GF37893-07	Tip, Wing, RH	A	RD-5010-R	Tip, Stabilator LH or RH	V	60-23 RD-0094-00
Cover, Nose Gear Strut Fairing, Fwd	E	GF37893-06	Tip, Wing, RH, 4" Nav Pad Only	A	GF62090-01	Tip, Wing, Left	A	60-33L-4-80A
		GF37928-04	Tip, Wing, RH, 4" Nav Pad Std	A	GF78022-01			60-33L-6-80A
Cover, Wing Bolt, LH	G	60-63942-00-80A	Tip, Wing, RH, 6" Nav Pad Std	A	GF78022-03	GF35115-00		
		GF63942-00	1 S/N 28-671 thru 28-7105244			RD-6010-L		
Cover, Wing Bolt, RH	G	60-63942-01-80A	2 S/N 28-671 thru 28-7205328			60-33L-6-80A		
		GF63942-01	3 S/N 28-3978 thru 28-7505260			GF35115-00		
Cowl Assy, Nose Upper	J	K35699-02	4 S/N 28-7205001 thru 28-7505260			RD-6010-L		
Cowl Assy, Nose Lower	K	K35699-03	5 S/N 28-7335001 thru 28-7505260			9 K		
Fairing, Dorsal Fin, Aft	O	RD-0095-00	6 S/N 28-7405001 and On			Tip, Wing, LH, 4" Nav Pad		
Fairing, Dorsal Fin, Fwd	N	RD-0096-00	7 Kit P/N RMD-005010-PA contains both LH and RH			Tip, Wing, LH, 4" Nav Pad Std		
Fairing, Main Gear, LH or RH	C	K63338-00	PA-28R-180			Tip, Wing, LH, 6" Nav Pad Std		
Fairing, Main Wheel LH	B	K65203-00	Description	Idx	Part Number	A	GF78022-02	
Fairing, Main Wheel RH	B	K65203-01	Cap, Vertical Fin, Rotating Beacon	P	60-27 60-28	A	GF78022-02	
Fairing, Main Wheel Access Panel, LH	B	GF79890-02	Cover, Wing Bolt, LH	G	60-63942-00-80A GF63942-00	A	GF78022-03	
Fairing, Main Wheel Access Panel, RH	B	GF79890-03	Cover, Wing Bolt, RH	G	60-63942-01-80A GF63942-01	1 S/N 2843001 thru 2890231 only		
Fairing, Main Wheel Shell, LH	B	GF79890-00	Door, Nose Gear, LH	D	GF67352-00	2 S/N 28-7690001 thru 28-7790000		
Fairing, Main Wheel Shell, RH	B	GF79890-01	Door, Nose Gear, RH	D	GF67352-01	3 S/N 28-7690001 thru 28-7790607		
Fairing, Main Wheel, Fwd Up LH	B	GF79892-04	Fairing, Dorsal Fin, Fwd	N	60-19 GF63517-00	4 S/N 28-7690001 thru 28-8690062		
Fairing, Main Wheel, Fwd Up RH	B	GF79892-05	Moulding, Wing Root	L	K65773-00	5 S/N 28-7790001 and On		
Fairing, Main Wheel, Aft Up LH	B	GF79892-09	Tailcone, Assembly	ST	RD-0099-00	6 S/N 28-7890001 and On		
Fairing, Main Wheel, Aft Up RH	B	GF79892-10	Tailcone, Lower	T	RD-0098-00	7 S/N 28-7890001 thru 28-7921095 only		
Fairing, Nose Wheel	F	K35512-00	Tailcone, Upper	T	60-30 RD-0097-00	8 S/N 28-7890001 thru 28-8690062 only		
Moulding, Wing Root	L	K65773-00	Tip, Stabilator, Ext. LH or RH	V	K2U65300-00	9 Kit P/N RMD-006010-PA contains both LH and RH		
Tailcone, Assembly	ST	RD-0099-00	Tip, Wing, Hoerner Style (set)	A	11051-1	PA-28R-200, PA-28-201T, PA-28R-201, PA-28R-201T, PA-28RT-201, PA-28RT-201T		
Tailcone, Lower	T	RD-0098-00	Tip, Wing, LH	A	RD-5010-L	Description		
Tailcone, Upper	S	RD-0097-00	Tip, Wing, LH, 4" Nav Pad Only	A	GF62090-00	Cap, Vertical Fin, Rotating Beacon		
Tip, Stabilizer, LH or RH	V	60-23 RD-0094-00	Tip, Wing, LH, 4" Nav Pad Std	A	GF78022-00	P	60-27 60-28	
Tip, Wing, LH	A	60-33L-4-80A	Tip, Wing, LH, 6" Nav Pad Std	A	GF78022-02	E	GF65345-03	
		60-33L-6-80A	Tip, Wing, RH	A	RD-5010-R	E	GF35832-07	
Tip, Wing, RH	A	RD-6010-L	Tip, Wing, RH, 4" Nav Pad Only	A	GF62090-00	G	60-63942-00-80A	
		60-33R-4-80A	Tip, Wing, RH, 4" Nav Pad Std	A	GF78022-00	G	GF63942-00	
		60-33R-6-80A	Tip, Wing, RH, 6" Nav Pad Std	A	GF78022-03	G	60-63942-01-80A	
		GF35115-01	Tip, Wing, RH	A	RD-5010-R	G	GF63942-01	
		RD-6010-R	Tip, Wing, RH, 4" Nav Pad Only	A	GF62090-01	G	60-63942-02-80A	
1 Model PA-28-161 only 2 Model PA-28-151 and PA-28-161 S/N 28-7816001 thru 28-8616057 only 3 PA-28-151 S/N 28-7415001 thru 28-7415713, 28-7515459, 28-7615445, 28-7715314, PA-28-161 S/N 28-7716001 thru 28-7716323, 28-7816695, 28-7916617, 28-8416131, 28-8516099, 28-8616057 only 4 PA-28-161 S/N 28-7816001 thru 28-8616057 5 Model PA-28-151 and PA-28-161 S/N 28-7716001 thru 28-7715323 only 6 Models PA-28-151 and PA-28-161 S/N 28-7716001 thru 28-7716323 only 7 Kit P/N RMD-006010-PA contains both LH and RH			1 S/N 28R-30005 thru 28R-7120019 2 S/N 28R-30005 thru 28R-7130019 3 Kit P/N RMD-005010-PA contains both LH and RH					
PA-28-180			PA-28-181					
Description	Idx	Part Number	Description	Idx	Part Number	Description	Idx	Part Number
Cap, Vertical Fin, Rotating Beacon	P	60-27 60-28 GF63514-00 GF65345-03	Cap, Vertical Fin, Rotating Beacon	P	60-28 GF65345-03	Cap, Vertical Fin, Rotating Beacon	P	60-27 60-28 GF65345-03
Cover, Wing Bolt, LH	G	60-63942-00-80A GF63942-00	Cover, Nose Gear Fairing, Aft	E	GF36559-803 GF37925-06 GF37926-04	Cover, Nose Gear Fairing, Aft	E	GF35832-07 GF35832-07
Cover, Wing Bolt, RH	G	60-63942-01-80A GF63942-01	Cover, Nose Gear Fairing, Fwd	E	K36559-806 GF37925-07 GF37926-03	Cover, Wing Bolt, LH	G	60-63942-00-80A GF63942-00
Fairing, Dorsal Fin, Aft	O	RD-0095-00	Cover, Wing Bolt, LH	G	60-63942-00-80A GF63942-00	Cover, Wing Bolt, RH	G	60-63942-01-80A GF63942-01
Fairing, Dorsal Fin, Fwd	N	60-19 RD-0096-00	Cover, Wing Bolt, RH	G	60-63942-01-80A GF63942-01	Fairing, Dorsal Fin, Aft	O	RD-0095-00
Fairing, Main Gear, LH or RH	C	K63338-00	Fairing, Dorsal Fin, Fwd	N	60-24 RD-0096-00	Fairing, Dorsal Fin, Fwd	N	60-24 RD-0096-00
Fairing, Main Wheel LH	B	K65203-00	Fairing, Main Gear, LH or RH	C	K63338-00	Fairing, Main Gear, LH or RH	C	K63338-00
Fairing, Main Wheel RH	B	K65203-01	Fairing, Main Wheel LH	B	K65203-00	Fairing, Main Wheel LH	B	K65203-00
Fairing, Nose Wheel	F	K65331-00	Fairing, Main Wheel RH	B	K65203-01	Fairing, Main Wheel RH	B	K65203-01
Moulding, Wing Root	L	K65773-00	Fairing, Main Wheel Access Panel, LH	B	GF79890-02	Fairing, Main Wheel Access Panel, LH	B	GF79890-02
Tailcone, Assembly	ST	RD-0099-00	Fairing, Main Wheel Access Panel, RH	B	GF79890-03	Fairing, Main Wheel Access Panel, RH	B	GF79890-03
Tailcone, Lower	T	60-31 RD-0098-00	Fairing, Main Wheel Shell, LH	B	GF79890-00	Fairing, Main Wheel Shell, LH	B	GF79890-00
Tailcone, Upper	S	60-30 RD-0097-00	Fairing, Main Wheel Shell, RH	B	GF79890-01	Fairing, Main Wheel Shell, RH	B	GF79890-01
Eligibility continues in next column			Eligibility continues in next column			Eligibility continues on next page		
Manufacturer/Material: Knots 2U/Fiberglass, Texas Aeroplastics/ABS Plastic Parts								

Exterior Plastic/Fiberglass Trim and Fairings

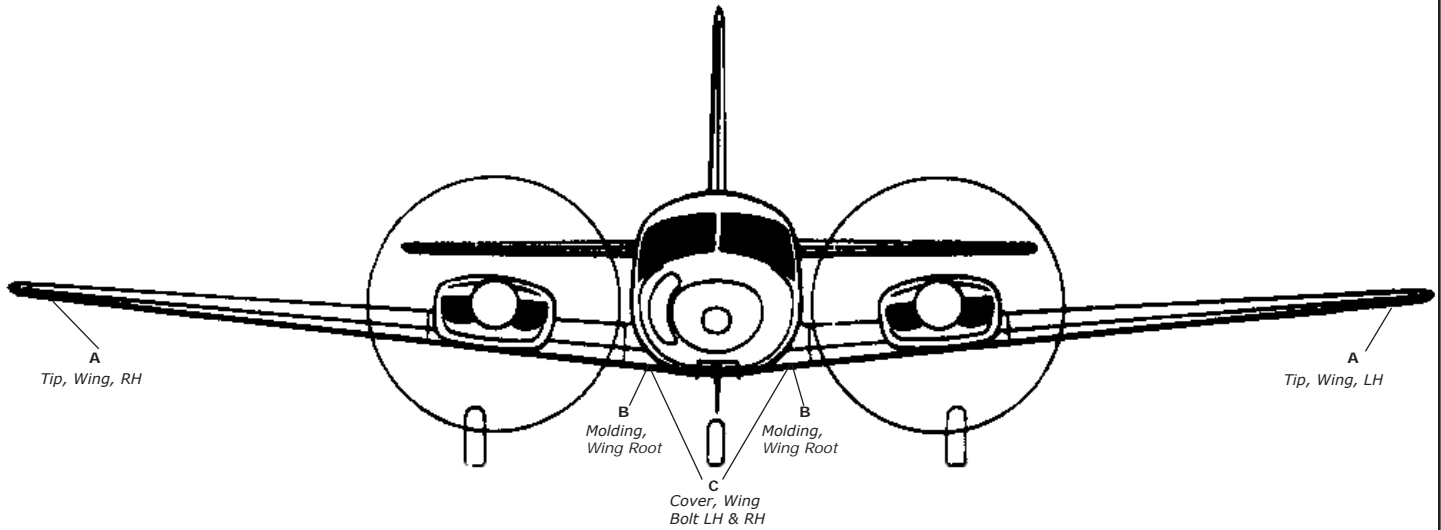
Piper PA-24 thru PA-28 Series Aircraft

Continued from previous page		
Description	Idx	Part Number
Tip, Wing, RH	A	60-33R-4-80A 14 T
		60-33R-6-80A 14 T
		GF35115-01 13 K
		RD-5010-R 1 13 K
RD-6010-R 14 17 K		
Tip, Wing, Hoerner Style (set)	A	11051-1 1 K
Tip, Wing, LH, 4" Nav Pad Only	A	GF62090-00 6 K
Tip, Wing, RH, 4" Nav Pad Only	A	GF62090-01 6 K
1 Model PA-28R-200 only 2 Models PA-28R-200, PA-28R-201, PA-28R-201T only 3 Models PA-28R-200, PA-28R-201, PA-28R-201T, PA-28RT-201 and PA-28RT-201T only 4 Models PA-28R-200, PA-28R-201, PA-28R-201T, PA-28RT-201 only 5 Model PA-28R-200 S/N 28R-35001 thru 28R-7135238 6 Model PA-28R-200 S/N 28R-35001 thru 28R-7235000 7 Model PA-28R-200 S/N 28R-35001 thru 28R-7135238 and Models PA-28-201T, PA-28R-201T 8 Model PA-28R-200 S/N 28R-7135239 thru 28R-7635545 and Models PA-28-201T, PA-28R-201, PA-28R-201T 9 Model PA-28R-200 S/N 28R-7235001 thru 28R-7635545 and Models PA-28R-201, PA-28R-201T 10 Model PA-28R-200 S/N 28R-7235001 thru 28R-7635545 and Models PA-28-201T, PA-28R-201, PA-28R-201T 11 Model PA-28-201T only 12 Models PA-28RT-201 and PA-28RT-201T only 13 Model PA-28RT-201 S/N 28R-7918001 thru 28R-8118092 and Model PA-28RT-201T S/N 28R-7931001 thru 28R-8131229 14 Models PA-28R-201 and PA-28R-201T, PA-28RT-201, PA-28RT-201T only 15 Models PA-28-201T, PA-28R-201 and PA-28R-201T, PA-28RT-201, PA-28RT-201T only 16 Kit P/N RMD-005010-PA contains both LH and RH 17 Kit P/N RMD-006010-PA contains both LH and RH PA-28-235, PA-28-236		
Description	Idx	Part Number
Cap, Vertical Fin, Rotating Beacon	P	60-27 5 T
		60-28 5 T
		GF65345-03 K
Cover, Nose Gear Fairing, Aft	E	GF35946-02 10 K
		GF37926-04 10 K
Cover, Nose Gear Fairing, Fwd	E	GF37926-03 10 K
Cover, Wing Bolt, LH	G	60-63942-00-80A 5 T
		GF63942-00 6 K
Cover, Wing Bolt, RH	G	60-63942-01-80A 5 T
		GF63942-01 6 K
Fairing, Dorsal Fin, Aft	O	RD-0095-00 7 K
Fairing, Dorsal Fin, Fwd	N	60-24 7 T
		RD-0096-00 7 K
Fairing, Main Wheel LH	B	K65203-00 1 K
Fairing, Main Wheel RH	B	K65203-01 1 K
Fairing, Main Wheel Access Panel, LH	B	GF79890-02 10 K
Fairing, Main Wheel Access Panel, RH	B	GF79890-03 10 K
Fairing, Main Wheel Shell, LH	B	GF79890-00 10 K
Fairing, Main Wheel Shell, RH	B	GF79890-01 10 K
Fairing, Main Wheel, Up, Fwd LH	B	GF79892-04 10 K
Fairing, Main Wheel, Up, Fwd RH	B	GF79892-05 10 K
Fairing, Main Wheel, Up, Aft RH	B	GF79892-09 10 K
Fairing, Main Wheel, Up, Aft LH	B	GF79892-10 10 K
Fairing, Main Gear, LH or RH	C	K63338-00 K
Fairing, Nose Wheel 6.00 X 6 w/o Door	F	GF35944-014 10 K
Fairing, Nose Wheel	F	K65331-00 2 K
Fairing, Nose Gear Strut, Fwd	F	GF35931-06 12 K
Fairing, Nose Gear Strut, Aft	F	GF35931-07 12 K
Floor Trim	M	60-18 3 K
Molding, Wing Root	L	K65773-00 K
Tailcone, Assembly	ST	RD-0099-00 6 K
Tailcone, Lower	T	60-31 6 T
		RD-0098-00 6 K
Tailcone, Upper	S	60-30 6 T
		RD-0097-00 6 K
Tip, Stabilator LH or RH	V	60-23 9 T
		RD-0094-00 3 K
Tip, Stabilator LH or RH, Ext.	V	K2U65300-00 4 K
Tip, Wing, LH	A	60-33L-4-80A 10 T
		60-33L-6-80A 10 T
		GF35115-00 11 K
		RD-5010-L 1 13 K
RD-6010-L 10 14 K		

Continued from previous column		
Description	Idx	Part Number
Tip, Wing, RH	A	60-33R-4-80A 10 T
		60-33R-6-80A 10 T
		GF35115-01 11 K
		RD-5010-R 1 13 K
RD-6010-R 10 14 K		
1 Model PA-28-235 only 2 Model PA-28-235 S/N 28-10001 thru 28-7310187 3 Model PA-28-235 S/N 28-10003 thru 28-10719 4 Model PA-28-235 S/N 28-10003 thru 28-7210033 5 Model PA-28-235 S/N 28-10003 thru 28-7710089 6 Model PA-28-235 S/N 28-10003 thru 28-7710089 and Model PA-28-236 7 Model PA-28-235 S/N 28-7210001 thru 28-7710089 and Model PA-28-236 8 Model PA-28-235 S/N 28-7210034 thru 28-7710089 and Model PA-28-236 9 Model PA-28-235 S/N 28-7310001 thru 28-7710089 and Model PA-28-236 10 Model PA-28-236 only 11 Model PA-28-236 S/N 28-7911001 thru 28-8611008 12 Model PA-28-236 S/N 28-8111081 thru 28-8611008 13 Kit P/N RMD-005010-PA contains both LH and RH 14 Kit P/N RMD-006010-PA contains both LH and RH		

Eligibility continues in next column

Manufacturer/Material: **K** Knots 2U/Fiberglass, **T** Texas Aeroplastics/ABS Plastic Parts



PA-31, PA-31-300, PA-31-325, PA-31-350, PA-31P, PA31P-350, PA-31T, PA-31T1, PA-31T2, PA-31T3

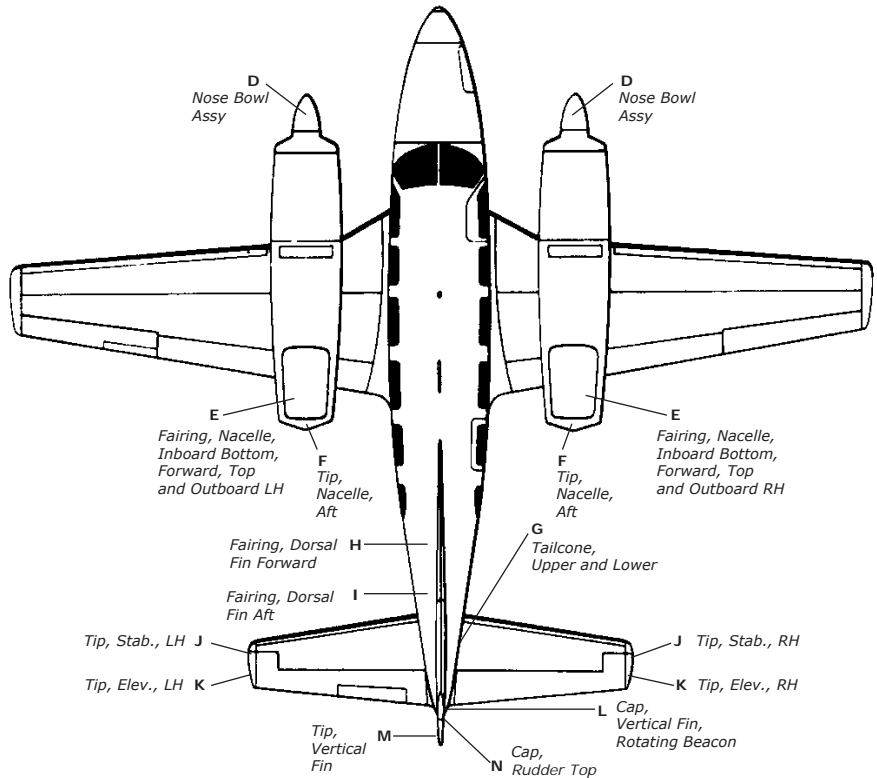
Description	Idx	Part Number
Fairing, Nacelle, Inbrd Btm, LH	E	GF42455-04
Fairing, Nacelle, Inbrd Btm, RH	E	GF42455-05
Fairing, Nacelle, Inbrd Fwd, LH	E	GF42455-02
Fairing, Nacelle, Inbrd Fwd, RH	E	GF42455-03
Fairing, Nacelle, Inbrd Top, LH	E	GF42455-00
Fairing, Nacelle, Inbrd Top, RH	E	GF42455-01
Fairing, Nacelle, Outboard, LH	E	GF42426-00
Fairing, Nacelle, Outboard, RH	E	GF42426-01
Tip, Elevator, Leading Edge	K	GF43786-00
Tip, Elevator, LH	K	GF43741-00
Tip, Elevator, RH	K	GF43741-01
Tip, Stabilizer, LH or RH	J	GF40364-02
Tip, Vertical Fin	M	GF44943-00
Tip, Wing, Lens LH	A	GF42027-04
Tip, Wing, Lens RH	A	GF42027-05
Tip, Wing, LH, with Reco Light	A	GF55802-12
Tip, Wing, RH, with Reco Light	A	GF55802-13

- 1 Models PA-31, PA-31-300, PA-31-325 and PA-31-350 S/N 31-5 and On
- 2 Model PA-31-350 S/N 31-7305053 and On, Model PA-31P-350 S/N 31P-8414001 and On
- 3 Model PA-31-350 S/N 31-7852001 and On
- 4 Models PA-31-300, PA-31-325, PA-31-350
- 5 Models PA-31, PA-31-300, PA-31-325 S/N 31-5 thru 31-7300961, PA-31-350 S/N 31-5001 thru 73605052, PA-31P S/N 31P-3 thru 31P-7300146

PA-34-200, PA-34-200T, PA-34-220T

Description	Idx	Part Number
Cap, Rudder Top	N	GF95907-00
Cover, Wing Bolt, LH	C	60-63942-00-80A GF63942-00
Cover, Wing Bolt, RH	C	60-63942-01-80A GF63942-01
Fairing, Tailcone, Lower	G	GF96338-08
Fairing, Tailcone, Upper	G	GF96338-04
Moulding, Wing Root	B	K65773-00
Nose Bowl Assembly	D	GF67998
Tip, Horizontal Stab., LH or RH	J	GF95620-07
Tip, Wing, LH	A	RD-5010-L
Tip, Wing, RH	A	RD-5010-R
Tip, Wing, LH, 4" Nav Pad Only	A	GF62090-00
Tip, Wing, RH, 4" Nav Pad Only	A	GF62090-01
Tip, Wing, LH, 4" Nav Pad Std	A	GF78022-00
Tip, Wing, RH, 4" Nav Pad Std	A	GF78022-01
Tip, Wing, LH, 6" Nav Pad Std	A	GF78022-02
Tip, Wing, RH, 6" Nav Pad Std	A	GF78022-03

- 1 Models PA-34-200, PA-34-200T
- 2 Models PA-34-200, PA-34-200T and PA-34-220T, S/N 3448038 and On
- 3 Models PA-34-200 S/N 34-7250001 thru 32-7250370, PA-34-200T, PA-34-220T
- 4 Sold in pairs only, Kit P/N RMD-005010-PA



PA-44-180, PA-44-180T

Description	Idx	Part Number
Cover, Wing Bolt, LH	C	60-63942-00-80A GF63942-00
Cover, Wing Bolt, RH	C	60-63942-01-80A GF63942-01
Fairing, Dorsal Fin, Aft	I	K78913-07
Fairing, Dorsal Fin, Fwd	H	GF78913-00
Fairing, Tailcone, w/o receptacle	G	K36721-003
Fairing, Tailcone, with receptacle	G	K86597-02
Moulding, Wing Root	B	K65773-00
Tip, Nacelle, Aft	F	GF86298-02
Tip, Stabilizer, LH or RH	J	RD-0094-00

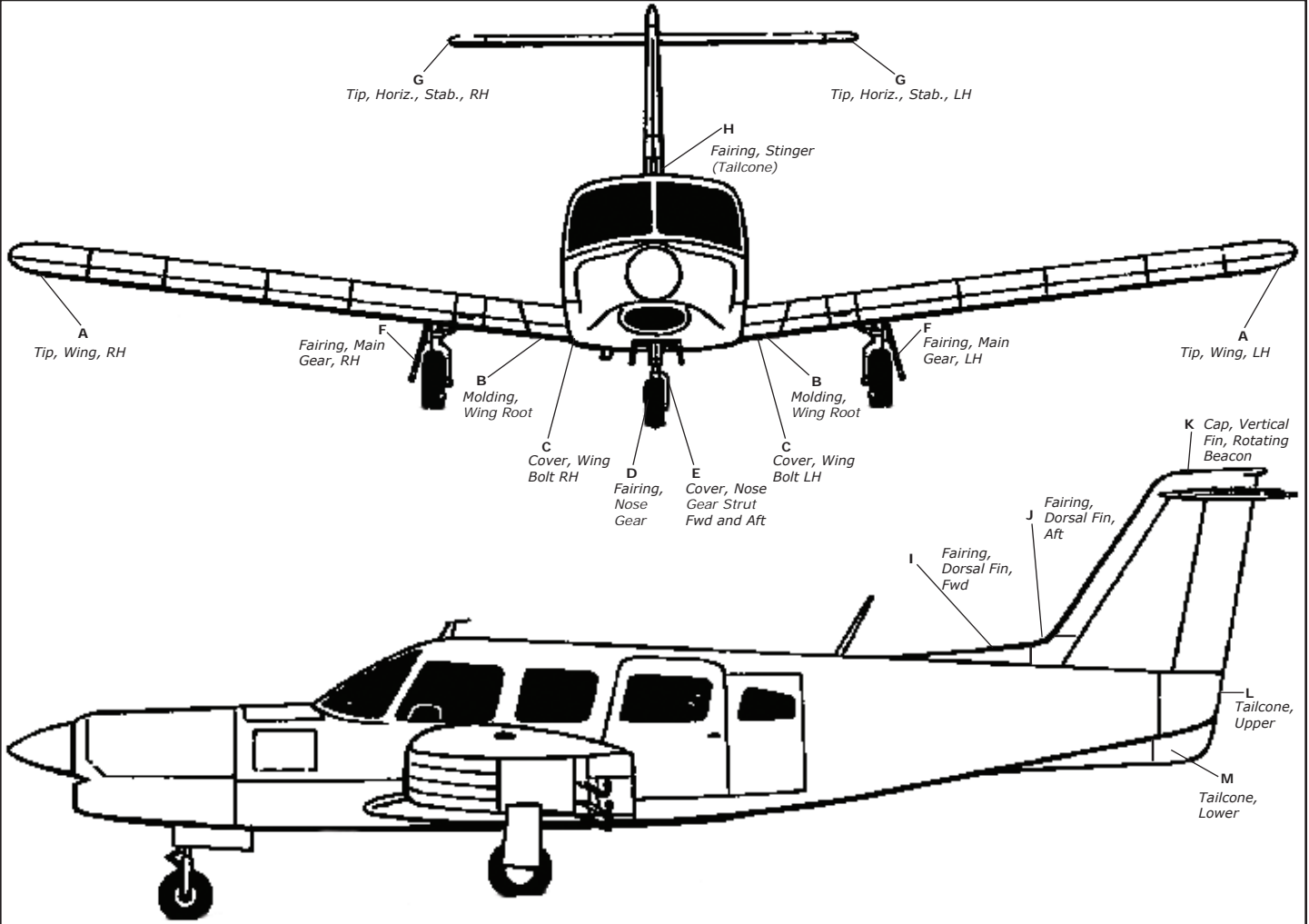
- 1 Model PA-44-180
- 2 Model PA-44-180T

PA-60-600, PA-60-601, PA-60-601P, PA-60-602P, PA60-700P

Description	Idx	Part Number
Tip, Horizontal, LH or RH	K	GF220021-903
Tip, Vertical, w/o Beacon	M	GF220021-505
Tip, Vertical, with Beacon	M	GF220021-913
Tip Long, Wing Short, LH	A	GF200038-901
Tip Long, Wing Short, RH	A	GF200038-902
Tip Short, Wing Long, LH	A	GF200102-901
Tip Short, Wing Long, RH	A	GF200102-902

- 1 Models PA-60-600, PA-60-601, PA-60-601P, PA-60-602P
- 2 Models PA-60-601, PA-60-601P, PA-60-602P, PA-60-700P
- 3 Models PA-60-601 S/N 0341 and On, PA-60-601P, S/N 0213 and On

Manufacturer/Material:  Knots 2U/Fiberglass,  Texas Aeroplastics/ABS Plastic Parts



PA-32-260, PA-32-300, PA-32-301, PA-32-301T,
PA-32-301FT, PA-32-301XTC, PA-32R-300, PA-32R-301,
PA-32R-301T, PA-32RT-300, PA-32RT-300T, PA-32S-300

Description	Idx	Part Number
Cap, Vertical Fin, Rotating Beacon	K	GF65345-03 16 K
Cover, Nose Gear Strut, Aft	E	GF35838-10 18 K
		GF36559-803 4 12 K
		GF37891-807 11 K
		GF37926-04 1 K
Cover, Nose Gear Strut, Fwd	E	GF38700-02 1 K
		GF36559-804 4 K
		GF37891-806 11 K
		GF37926-03 1 K
Cover, Wing Bolt, LH	C	GF38700-04 19 K
		60-63942-00-80A 7 T
		GF63942-00 23 K
Cover, Wing Bolt, RH	C	60-63942-01-80A 7 T
		GF63942-01 23 K
Fairing, Dorsal Fin, Aft	J	K78913-07 22 K
		RD-0095-00 13 K
Fairing, Dorsal Fin, Fwd	I	60-19 8 T
		60-24 9 T
		GF63517-00 13 K
		GF78913-00 22 K
		RD-0096-00 13 K
Fairing, Main Gear, LH or RH	F	K63338-00 1 K
Fairing, Main Gear LH	F	K65203-00 6 K
Fairing, Main Gear RH	F	K65203-01 6 K
Fairing, Main Gear Access Panel, LH	F	GF79890-02 12 K
Fairing, Main Gear Access Panel, RH	F	GF79890-03 12 K
Fairing, Main Gear Shell, LH	F	GF79890-00 12 K

Eligibility continues in next column

Continued from previous column

Description	Idx	Part Number
Fairing, Main Gear Shell, RH	F	GF79890-01 12 K
Fairing, Main Gear, Up., Fwd, LH	F	GF79892-04 12 K
Fairing, Main Gear, Up., Fwd, RH	F	GF79892-05 12 K
Fairing, Main Gear, Up., Aft, RH	F	GF79892-09 12 K
Fairing, Main Gear, Up., Aft, LH	F	GF79892-10 12 K
Fairing, Nose Gear	D	K65331-00 6 K
Fairing, Nose Gear, 6.00 X 6 w/o Door	D	GF35944-014 21 K
Fairing, Nose Gear, 6.00 X 6 w/Door	D	GF35944-14 10 K
Fairing, Stinger (Tailcone)	H	K78912-11 22 K
Fairing, Tailcone, Upper	L	60-30 5 T
		RD-0097-00 3 K
Fairing, Tailcone, Lower	M	60-31 5 T
		RD-0098-00 3 K
Moulding, Wing Root	B	K65773-00 K
Tip, Horizontal Stab., LH or RH	G	60-23 2 T
Tip, Wing, LH	A	GF35115-10 20 K
Tip, Wing, RH	A	GF35115-11 20 K
1 Models PA-32-260 and PA-32-300 2 Models PA-32-260, PA-32-300 and PA-32R-300 3 Models PA-32-260, PA-32-300, PA-32R-300, PA-32R-300T 4 Models PA-32-260, PA-32-300, PA-32-301 and PA-32-301T 5 Models PA-32-260, PA-32-300, PA-32-301, PA-32-301T, PA-32R-300, PA-32R-301, PA-32R-301T 6 Models PA-32-260 and PA-32-300 S/N 32-40000 thru 32-7740112 7 Models PA-32-260, PA-32-300, PA-32-R300, PA-32R-301, PA-32R-301T, PA-32RT-300, PA-32RT-300T 8 Models PA-32-260 S/N 32-1 thru 32-7140086, PA-32-300 S/N 32-40000 thru 32-7140086 9 Models PA-32-260 S/N 32-7200001 thru 32-7800008, PA-32-300 S/N 32-7240001 and On, PA-32R-300, PA-32-301, PA-32-301T, PA-32R-301, PA-32R-300T 10 Models PA-32-260 S/N 32-7800001 and On, PA-32-300 S/N 32-7740113 and On 11 Models PA-32-260 S/N 32-7800001 thru 32-7800008, PA-32-300 S/N 32-7840001 thru 32-7940290 and PA-32-301 12 Models PA-32-260 S/N 32-7800001 and On, PA-32-300 S/N 32-7840001 and On, PA-32-301, PA-32-301T 13 Models PA-32-260 S/N 32-7200061 and Up, PA-32-300 S/N 32-7240001 and Up, PA-32R-300, PA-32R-300T, PA-32-301FT, PA-32-301XTC, PA-32R-301, PA-32R-301T, PA-32-301, PA-32-301T 14 Model PA-32-300, PA-32-301T 15 PA-32-300 S/N 32-40000 thru 32-7140086 16 Models PA-32-300, PA-32R-300, PA-32-301 S/N 32-8006002 thru 32-8106110, PA-32-301T S/N 32-8024001 and On, PA-32-301, PA-32-301T, PA-32R-301 S/N 32R-8013133 and PA-32R-301T S/N 32R-8029001 thru 32R-8129124 17 Models PA-32-260, PA-32-300, PA-32-300S, PA-32R-300, PA-32RT-300, PA-32RT-300T, PA-32-301FT, PA-32-301XTC, PA-32R-301, PA-32R-301T PA-32-301, PA32-301T 18 Models PA-32-301 and PA-32-301T 19 Models PA-32-301 S/N 32-8006002 thru 32-8006116, 32-8106110, 32-8206050, 32-8306032, 32-8406020, PA-32-301T S/N 32-8024001 thru 32-8024062, S/Ns 32-8124046, 32-8224024, 32-8324016, 32-8424002 32-8524001 and On 20 Models PA-32R-301 S/N 32R-8113071 thru 32R-8613005, 3213001 thru 3213041, 3213098 excluding 3213029, PA-32R-301T S/N 32R-8129073 and up, PA-32-301FT, PA-32-301XTC, PA-32-301, PA-32-301T, PA-32R-301 S/N 3213029, 3213042 thru 3246999, 32R-8013001 thru 32R-8113070, PA-32R-301T S/N 32R-8029001 thru 32R-8129072, 21 Models PA-32-260 S/N 32-7800001 and On, PA-32-300 S/N 32-7840001 and On, PA-32-301, PA-32-301T, PA-32-301FT and PA-32-301XTC 22 Models PA-32RT-300 and PA-32RT-300T 23 W/O Door 6.00 X 6 Tire, 1978 and up 24 With 5.00 X 5 Tire 25 All Models except PA-32-301FT, PA-32-301XTC and PA-32S-300		

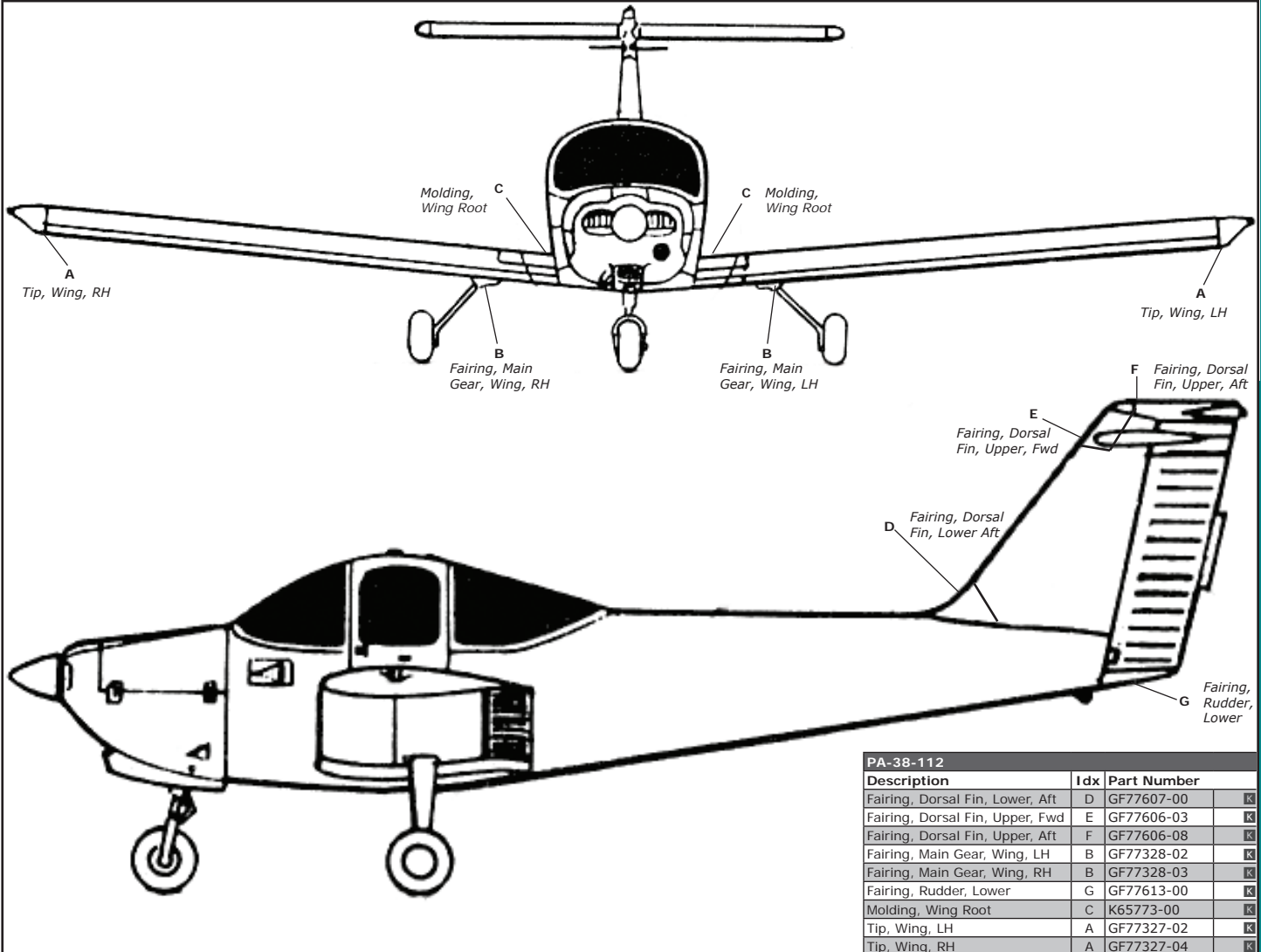
Eligibility continues in next column

Continued from previous column

10 Models PA-32-260 S/N 32-7800001 and On, PA-32-300 S/N 32-7740113 and On
11 Models PA-32-260 S/N 32-7800001 thru 32-7800008, PA-32-300 S/N 32-7840001 thru 32-7940290 and PA-32-301
12 Models PA-32-260 S/N 32-7800001 and On, PA-32-300 S/N 32-7840001 and On, PA-32-301, PA-32-301T
13 Models PA-32-260 S/N 32-7200061 and Up, PA-32-300 S/N 32-7240001 and Up, PA-32R-300, PA-32R-300T, PA-32-301FT, PA-32-301XTC, PA-32R-301, PA-32R-301T, PA-32-301, PA-32-301T
14 Model PA-32-300, PA-32-301T
15 PA-32-300 S/N 32-40000 thru 32-7140086
16 Models PA-32-300, PA-32R-300, PA-32-301 S/N 32-8006002 thru 32-8106110, PA-32-301T S/N 32-8024001 and On, PA-32-301, PA-32-301T, PA-32R-301 S/N 32R-8013133 and PA-32R-301T S/N 32R-8029001 thru 32R-8129124
17 Models PA-32-260, PA-32-300, PA-32-300S, PA-32R-300, PA-32RT-300, PA-32RT-300T, PA-32-301FT, PA-32-301XTC, PA-32R-301, PA-32R-301T PA-32-301, PA32-301T
18 Models PA-32-301 and PA-32-301T
19 Models PA-32-301 S/N 32-8006002 thru 32-8006116, 32-8106110, 32-8206050, 32-8306032, 32-8406020, PA-32-301T S/N 32-8024001 thru 32-8024062, S/Ns 32-8124046, 32-8224024, 32-8324016, 32-8424002 32-8524001 and On
20 Models PA-32R-301 S/N 32R-8113071 thru 32R-8613005, 3213001 thru 3213041, 3213098 excluding 3213029, PA-32R-301T S/N 32R-8129073 and up, PA-32-301FT, PA-32-301XTC, PA-32-301, PA-32-301T, PA-32R-301 S/N 3213029, 3213042 thru 3246999, 32R-8013001 thru 32R-8113070, PA-32R-301T S/N 32R-8029001 thru 32R-8129072,
21 Models PA-32-260 S/N 32-7800001 and On, PA-32-300 S/N 32-7840001 and On, PA-32-301, PA-32-301T, PA-32-301FT and PA-32-301XTC
22 Models PA-32RT-300 and PA-32RT-300T
23 W/O Door 6.00 X 6 Tire, 1978 and up
24 With 5.00 X 5 Tire
25 All Models except PA-32-301FT, PA-32-301XTC and PA-32S-300

Manufacturer/Material: K Knots 2U/Fiberglass, T Texas Aeroplastics/ABS Plastic Parts

Exterior Plastic and Fiberglass Trim and Fairings Piper PA38 Series Aircraft



PA-38-112		
Description	Idx	Part Number
Fairing, Dorsal Fin, Lower, Aft	D	GF77607-00
Fairing, Dorsal Fin, Upper, Fwd	E	GF77606-03
Fairing, Dorsal Fin, Upper, Aft	F	GF77606-08
Fairing, Main Gear, Wing, LH	B	GF77328-02
Fairing, Main Gear, Wing, RH	B	GF77328-03
Fairing, Rudder, Lower	G	GF77613-00
Molding, Wing Root	C	K65773-00
Tip, Wing, LH	A	GF77327-02
Tip, Wing, RH	A	GF77327-04

Cirrus and Beechcraft Aircraft

Cirrus SR20-SR22 Series Aircraft		
Fairing, Nose Gear Wheel Pant	K15312-001	1 K
	K26873-001	2 K
1 Models SR20 S/N 1005 thru 1430, 1476 thru 1885 and SR22 S/N 0528 thru 2437 2 Models SR20 S/N 1886 and On, SR22 S/N 2438 and On, and Model SR22T		
19A, A23-19, B19, M19A, 23, A23, A23A, B23, C23, A23-24, A24R, B24R, C24R		
Description	Part Number	
Drain Cover, Fuel Sump	GF169-420028-11	1 K
Fairing, Dorsal	GF169-440013-11	K
Fairing, Lower Cowl	GF169-910013-157	2 K
Seal (Storm Window)	ADS1200-17	K
Tail Cone	GF169-4411-S	3 K
Tip, Stabilizer Left	GF169-620001-27	4 K
	GF169-620000-113	5 K
Tip, Stabilizer Right	GF169-620001-28	4 K
	GF169-620000-114	5 K
Tip, Vertical Stabilizer	K169-640000-97	K
Tip, Wing, Left	GF169-1100-00	K
Tip, Wing, Right	GF169-1100-01	K
1 Models B19, C23, C24R 2 Models A23-19, B19, 23, A23, A23A, B23, C23, A24 3 Models 19A, A23-19, B19, M19A, 23, A23, A23A, A23-24, A24R, B24R, C24R 4 All Models and S/Ns except Model 23, S/N M-2, M-4 thru M-554 5 Model 23 S/N M-2, M-4 thru M554		

35-33, 35-A33, 35-B33, 35-C33, 35-C33A, C33, C33A, E33, E33A, E33C, F33, F33A, F33C, G33		
Description	Part Number	
Fairing, Dorsal	K33-440011-27	K
	K33-600011-1	1 K
Fairing, Dorsal Fin	K33-600012-3	2 K
Seal (Storm Window)	ADS1200-17	K
Tip, Wing, Hoerner Style	11052-1	3 K
1 Model 35-B33 2 Models 35-C33, 35-C33A 3 Model 35-C33 S/N CD-814 thru CD-1026 (Set of two)		
35, 35R, A35, B35, C35, D35, E35, F35, G35, H35, J35, K35, M35, N35, P35, R35, S35, V35, V35A, V35B		
Description	Part Number	
Seal (Storm Window)	ADS1200-17	K
Tip, Wing, Hoerner Style	11052-1	1 K
1 Models A35, B35, C35, D35, E35, F35, G35, H35, J35, K35, M35, N35, P35, S35		
36, A36, A36TC, B36TC, G36		
Description	Part Number	
Seal (Storm Window)	ADS1200-17	K
Fairing, Dorsal	K33-440011-27	K
50, B50, C50, D50, D50A, D50B, D50C, D50E, E50, F50, G50, H50, J50		
Description	Part Number	
Seal (Storm Window)	ADS1200-17	K
Tip, Wing, Hoerner Style	11052-1	1 K
1 Models B50, C50, D50, D50A, D50B, E50, F50, G50 (Set of two)		

95-55, 95-A55, 95-B55, 95-B55A, 95-B55B, 95-C55, 95-C55A, D55, D55A, E55, E55A, 56TC, A56TC, 58, 58TC, 58P, G58, 76, 77, 95, B95, B95A, D95A, E95		
Description	Part Number	
Fairing, Dorsal Fin	95-440015-17K	1 K
Fairing, Engine Nacelle, Outbrd, LH	GF96110010-17	2 K
Fairing, Engine Nacelle, Outbrd, RH	GF96110010-19	2 K
Fairing, Engine Nacelle, Inboard LH	GF96110010-21	2 K
Fairing, Engine Nacelle, Inboard, RH	GF96110010-23	2 K
Saddle, Dorsal	GF96-4415-00	3 K
Seal (Storm Window)	ADS1200-17	3 K
Tip, Wing, Left	GF105-1010-00	4 K
	GF108-1700-00	5 K
Tip, Wing, Right	GF105-1010-01	4 K
	GF108-1700-01	5 K
1 Models B95, B95A, D95A, E95 2 Model 95-A55 S/N TC-191 thru TC-349, TC-351 thru TC-370, TC-372 thru TC-379, Models 95-B55 and 95-B55A S/N TC-371, TC-502 thru TC-1392, TC-1397 thru TC-2456, and Models 95-B55B, 95-C55, 95-C55A (Except S/N TE-50), D55, D55A, E55, E55A, 56TC, A56TC, 58, 58TC, 58P 3 All models except 58P, 76 and 77 4 Model 76 5 Model 77 6 Model 95-B55 S/N TC-371, TC-502 thru TC-1392, TC-1397 thru TC-2456, and Models E55 and 58		

Manufacturer/Material: K Knots 2U/Fiberglass, T Texas Aeroplastics/ABS Plastic Parts